



120 V Electric Solo Bed - 1-150-008-L

Instructions and Warranty

Please Read Carefully Before Using Your New Bed



Table of Contents

FIVE (5) YEAR WARRANTY	2
TECHNICAL SPECIFICATIONS - CARROLL HEALTHCARE SOLO BED	3
IMPORTANT ELECTRICAL SAFEGUARDS	4
GROUNDING INSTRUCTIONS	4
IMPORTANT MECHANICAL SAFEGUARDS	5
GENERAL PRECAUTIONS	5
MATTRESS SPECIFICATIONS	6
UNPACKING INSTRUCTIONS	6
UNPACKING COUNTER-BALANCED, NON TUCKABLE PARTIAL OR FULL RAILS	7
ASSEMBLY INSTRUCTIONS	8
INSTALL THE MATTRESS KEEPERS TO THE HEAD AND FOOT DECKS	8
ATTACH HEAD BOARD AND FOOT BOARD	9
STANDARD NON-REMOVABLE HEAD BOARD AND FOOT BOARD	9
OPTIONAL ATTENDANT MEMBRANE CONTROL FOOT BOARD	10
OPTIONAL REMOVABLE HEAD BOARD AND FOOT BOARD	11
OPTIONAL HEAD BOARD WITH TRAPEZE ADAPTER	12
INSTALL THE WIRE-FORM WALL PROTECTION.....	13
CARROLL ASSIST RAIL – INSTALLATION REQUIRED	14
ASSIST RAIL PACKAGING	14
MOUNTING THE ASSIST RAIL	14
BED FEATURES - IMMOBILIZER LEG SYSTEM / HILO FUNCTION	16
PENDANT STOWAGE	16
PENDANT LOCATION	17
BED ELEVATION - HILO FUNCTION	18
HEAD ELEVATION - HEAD MOTOR FUNCTION	18
KNEE-FOOT ELEVATION - FOOT MOTOR FUNCTION	18
PENDANT LOCK OUT	19
STANDARD PENDANT LOCK OUT	19
OPTIONAL PENDANT 3 FUNCTION LOCK OUT	19
PENDANT LOCK OUT VIA MEMBRANE CONTROL PANEL OPTION	19
ASSIST RAIL OPERATION (STANDARD)	20
OPERATION OF THE STANDARD ASSIST RAIL	20
CHANGE ASSIST RAIL FROM “GUARD” TO “ASSIST”	20
NON-TUCK SIDE RAIL OPERATION (OPTIONAL)	21
MOVE SIDE RAIL FROM DOWN TO UP POSITION (NON TUCKABLE SIDE RAILS ONLY).....	21
MOVE SIDE RAIL FROM UP TO DOWN POSITION (NON TUCKABLE SIDE RAILS ONLY).....	21
CARE AND MAINTENANCE	21
STERILISATION METHOD	21
YEARLY MAINTENANCE.....	22
STORAGE ENVIRONMENT CONDITIONS.....	22
TRANSPORTATION ENVIRONMENTAL CONDITIONS	22
DECK REMOVAL - HEAD DECK.....	22
DECK REMOVAL - FOOT DECK.....	22
DECK REMOVAL - KNEE DECK	23
DECK REMOVAL - SEAT DECK	23
BEFORE CALLING THE FACTORY	24
OPTIONS INFORMATION	25
ELECTRICAL SCHEMATICS	26
WIRING SCHEMATIC - STANDARD 76" SOLO AND 80" SOLO.....	26
WIRING SCHEMATIC - 76" SOLO WITH MEMBRANE AND 80" SOLO WITH MEMBRANE	26
WIRING SCHEMATIC - 76" AND 80" SOLO WITH 3 FUNCTION LOCKOUT	27
HEAD BOARD AND FOOT BOARD OPTIONS.....	27
SOLO ELECTRIC BED - FULL ASSEMBLY	28
SOLO BED ASSEMBLY - LOWER FRAME DETAIL	29
SOLO BED ASSEMBLY - UPPER FRAME DETAIL	30
ASSIST RAIL ASSEMBLY	31
NON-TUCKABLE PARTIAL RAIL ASSEMBLY	32
SERVICE PART SUB-ASSEMBLIES	33
SOLO LOWER FRAME ASSEMBLY.....	33
SOLO HEAD END ASSEMBLY	34
SOLO FOOT END ASSEMBLY	35
SOLO CASTER BRACKET ASSEMBLY.....	36
HEAD GATCH SOCKET STYLE ASSEMBLY	37
FOOT GATCH SOCKET STYLE ASSEMBLY	38
SOLO II LOWER HILO 8 ARM GATCH ASSEMBLY	39
SOLO II LOWER HILO 6 ARM GATCH ASSEMBLY	40
SOLO II UPPER HILO GATCH ASSEMBLY.....	41

FIVE (5) YEAR WARRANTY

Carroll's pro-rated warranty covers manufacturing defect, or failure due to workmanship or materials. Electrical components are guaranteed to be free from manufacturing defect for one (1) year from the date of purchase, covered by the motor manufacturer's own warranty. Carroll Healthcare Inc. warrants to the original purchaser of its products that the product or any part thereof, in the judgement of Carroll Healthcare Inc. will not be defective in material or workmanship for one (1) year from date of original purchase. Carroll Healthcare Inc. specifically warrants to the original purchaser of its products that the reinforced fiberglass bed deck will not be defective in material or workmanship for twenty (20) years from date of original purchase. Such defects will be repaired or replaced (at the company's option) free of charge for parts only, provided the defective product is shipped to the factory or an authorized depot at the customer's own expense. Shipping charges for return of the product to the customer will also be at the customer's own expense. After one year, for the next four years, frame parts only will be covered by the warranty according to the following fee schedule: 2nd year – frame parts (list price less 60%); 3rd year – frame parts only (list price less 40%); 4th year – frame parts (list price less 20%); 5th year frame parts (list price less 10%). Parts in the judgement of Carroll Healthcare Inc. found to be damaged through normal wear and tear, impact, abuse, overloading, fire, lighting, water damage or power surges, brown-outs, improper supply voltage or use of other manufacturer's head and foot boards or accessories will not be covered and parts will be charged out at the full list price. Note also that any alteration of the bed or one of its components voids this warranty. A Return Goods Authorization number (RGA) must be obtained before returning any products or parts to the factory. We regret that no products will be accepted at the factory without an RGA number. No other warranty, expressed or implied by Carroll Healthcare Inc. or its agents shall be considered valid.

Carroll Healthcare Inc.

Mailing Address: 994 Hargrieve Road, London, Ontario, CANADA, N6E 1P5.

(519) 659 1395
1-800-668-2337

www.carrollhealthcare.com

email: service@carrollhealthcare.com

TECHNICAL SPECIFICATIONS - CARROLL HEALTHCARE SOLO BED

	Standard Solo	Solo with Membrane	Solo With 3 FNC L/O
Certifications			
Canada	CSA C22.2 No. 125	CSA C22.2 No. 125	CSA C22.2 No. 125
USA	UL 544	UL 544	UL 544
Elevation Range (floor to deck)			
Mobility Mode (on Casters)	8-1/2"	8-1/2"	8-1/2"
Transition from Stability to Mobility	8-1/2" to 8-5/8"	8-1/2" to 8-5/8"	8-1/2" to 8-5/8"
Stability Mode (off casters)	8-5/8" to 25"	8-5/8" to 25"	8-5/8" to 25"
Head Deck Angle Range	0° to 70°	0° to 70°	0° to 70°
Knee - Foot Angle Range	0° to 25°	0° to 25°	0° to 23°
Under-bed patient lift clearance	8-1/2" (max. height 25")	8-1/2" (max. height 25")	8-1/2" (max. height 25")
Electrical Specifications			
Control Box Mains Voltage	120V	120V	120V
Control Box Input Current	6.0 Amps	6.0 Amps	6.0 Amps
Control Box Current Frequency	60 Hz	60 Hz	60 Hz
Control Box Output Voltage	120 Volts AC	120 Volts AC	120 Volts AC
Head Motor	120V, 2.6 A	120V, 2.6 A	120V, 2.6 A
HILO Motor	120V, 3.2 A	120V, 3.2 A	120V, 3.2 A
Foot Motor	120V, 2.6 A	120V, 2.6 A	120V, 2.6 A
Six function Hand Pendant	standard	standard	standard
Membrane Keypad in foot board	optional	standard	-
Safety Features			
Protective Earth Ground	Class I	Class I	Class I
Electric shock protection	Type B	Type B	Type B
Enclosure protection	IPX1	IPX1	IPX1
Mobility Access Lock-Out	standard	standard	standard
Security - Pendant Lock-Out			
Bed Elevation (HILO)	standard	standard	standard
Head Section	-	standard	standard
Knee-Foot Section	-	standard	standard
Dimensions and Weight			
Overall Length	83" (76 Solo) 87" (80 Solo)	83" (76 Solo) 87" (80 Solo)	83" (76 Solo) 87" (80 Solo)
Length - Between head & foot board	78-1/2" (76 Solo) 82-1/2" (80 Solo)	78-1/2" (76 Solo) 82-1/2" (80 Solo)	78-1/2" (76 Solo) 82-1/2" (80 Solo)
Length - Mattress Platform (including mattress keepers)	76" (76 Solo) 80" (80 Solo)	76" (76 Solo) 80" (80 Solo)	76" (76 Solo) 80" (80 Solo)
Width (with Assist Rails)	41"	41"	41"
Width - Mattress Platform	35"	35"	35"
Weight (pounds)	189 (76 Solo) 191 (80 Solo)	189 (76 Solo) 191 (80 Solo)	189 (76 Solo) 191 (80 Solo)
Load Capacity - Safe Working Load	180 kg (400 lb.)	180 kg (400 lb.)	180 kg (400 lb.)

IMPORTANT ELECTRICAL SAFEGUARDS

- Plug the three prong electrical cord **ONLY** into a properly grounded 110 VAC to 120 VAC, 60 cycle outlet that is rated to at least six amps.
- **DO NOT** use an extension cord.
- **DO NOT** permit the cord, wall outlet, motors, control box or pendant to become wet or submerged.
- **DO NOT** operate the bed if the cord or outlet is damaged. **DO NOT** operate the bed if any motor has malfunctioned or is damaged in any manner.
- **DO NOT** use this bed in Active Treatment "Ether Environments".

GROUNDING INSTRUCTIONS

This electric bed must be grounded.

In the event of a malfunction or breakdown, grounding provides a path of least resistance for electric current, thereby reducing the risk of electric shock.

This product is equipped with a cord having an equipment-grounding conductor and a grounded plug. The plug must be inserted into an appropriate electric outlet that is properly installed and grounded in accordance with all local codes and ordinances.

DANGER

Improper connection of the equipment-grounding conductor can result in electrocution. Check with a qualified electrician or service person if you are doubtful that the electrical outlet is properly grounded.

Do not modify the three prong plug provided. If it will not fit into the electrical outlet, have a proper outlet installed by a qualified electrician.

DANGER

Electric components, such as motors, exposed to water, may cause severe injury including electrocution.

During routine bed operation or when cleaning, **DO NOT** expose electrical components to water. Unplug and de-energize electrical components when water products are near these components.

IMPORTANT MECHANICAL SAFEGUARDS

- DO NOT stand on the bed or concentrate weight on the fibreglass deck panels.
- DO NOT use the bed without a mattress at least 6" (152 mm) thick and of recommended dimensions. Refer to Mattress Specifications on page 6.
- DO NOT use without a special mattress specifically designed to bend and conform to the shape of the bed.
- DO NOT use a water-filled or gel-filled mattress on this bed.
- DO NOT attach trapeze devices directly to the head or foot boards. A special trapeze adapter is available from Carroll Healthcare Inc. Refer to Optional Head Board with Trapeze Adapter on page 12.
- Ensure that the head board and foot board are properly attached to the frame. These parts assist in stabilising the bed.

GENERAL PRECAUTIONS

- Do not use head/foot panels from other manufacturers.
- Make sure lobes on deck hinge have not shifted in transit. Refer to Deck Removal on page 22 for instructions.

WARNING

This bed is rated to 400 lbs. (180 kg). DO NOT exceed this limit. Patients and visitors on the bed together must NOT exceed 400 lbs. (180 kg).

DO NOT drop the bed.

DO NOT allow patients to fall on the bed.

DO NOT jump on the bed.

Each of the preceding impacts can permanently damage the HILO motor resulting in an inoperable bed.

In the case of an inoperable bed due to a damaged HILO motor, the HILO motor must be replaced immediately. If left unattended, a damaged HILO motor can cause the bed to fall from the highest extended position, resulting in patient injury.

MATTRESS SPECIFICATIONS

A mattress is not included with this bed. It is highly recommended that you use a 35.5" (900 mm) wide mattress that is designed to conform to the bed length of 76" or 80" (1930 mm or 2032 mm), such as a Carroll Healthcare Thera Max Mattress. The mattress must be at least 6" (150 mm) in height.

Warning

- Use of any mattress outside the recommended specifications can compromise the safety of the rail system designed for this bed.

UNPACKING INSTRUCTIONS

Refer to the appropriate unpacking instruction to safely remove and preserve all of the components necessary to assemble the bed.

CAUTION: Do not cut any trimmed plastic ties (see step 6). (Trimmed plastic ties are permanent features on the Solo bed).



1. With the bed in the upright position, cut the strapping around the head and foot boards.



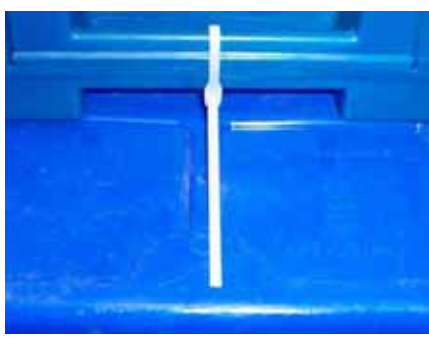
2. Carefully remove the bed boards from the frame and place aside.



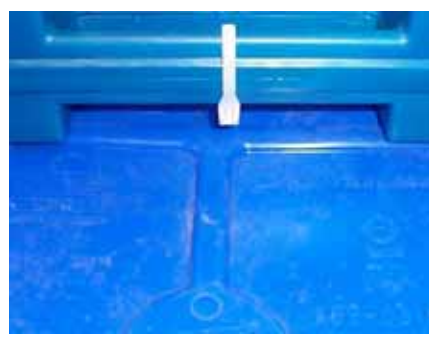
3. Lower the bed to the floor.



4. Cut the plastic strapping around the foot section of the deck.



5. Cut all untrimmed wire ties.



6. Do NOT cut trimmed wire ties.



7. Cut the plastic wire ties around the wire form and remove the wire form.



8. Cut the wire tie around the mattress keeper bag, remove and set aside.



9. Cut the wire tie around the foam bed board pad, head end, and discard.



10. Cut the wire tie around the main power cord bundle.



11. Cut the wire tie around the pendant wire bundle.



12. Plug the bed into a properly grounded 120V outlet. Press the HILO UP button on the pendant and raise bed to a comfortable working height.

Note: All bolts, nuts and washers used to secure the mattress keepers to the deck and head & foot boards to the frame are included inside the mattress keeper bag at the foot end of the bed. See Step 8 above.

Unpacking Counter-Balanced, Non Tuckable Partial or Full Rails

Carroll Healthcare side-rails are pre-installed at the factory. They are held in place, for shipping purposes, with tape and plastic strapping.



1. Cut and remove the wire ties around the foam.



2. Cut and remove the filament tape around the foam.



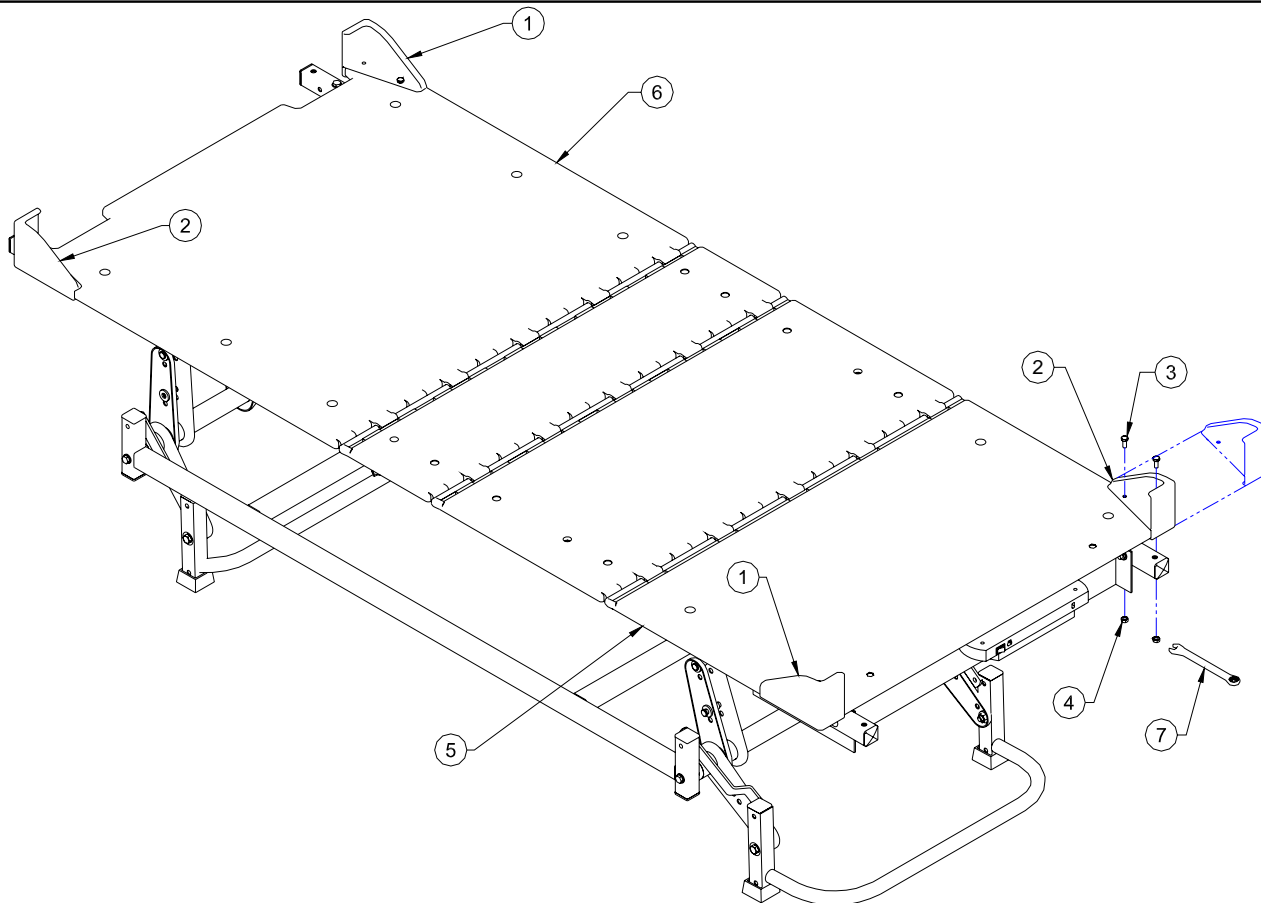
3. Raise the rails from the stored position.

ASSEMBLY INSTRUCTIONS

Install the Mattress Keepers to the Head and Foot Decks

The mattress keepers hold the mattress in place. Install them on either side of the head and foot deck panels at each end of the bed. Refer to DIA 16.

Note: Do not over tighten the mattress keeper fasteners.



DIA 16

No.	Description	Part Number	QTY
1	Mattress Keeper A	MATTKP-RPL-CN RF-L	2
2	Mattress Keeper B	MATTKP-RPL-CN RF-R	2
3	Carriage Bolt 1/4-20 X 5/8 long	BLT145-8C	8
4	Hex Nut 1/4-20 X 5/8	NUT14	8
5	Foot Deck Section	DECK00-05	1
6	Head Deck Section - for 80" bed (Shown) Head Deck Section - for 76" bed (Not Shown)	DECK00-07 DECK00-02	1
7	7/16 Wrench	(Not Supplied)	1

1. Align mattress keeper square holes with the moulded holes in the foot deck.
2. Press a 1/4-20 X 5/8 long carriage bolt through the top of the mattress keeper hole.
3. Tighten, from below, a 1/4-20 hex nut using a 7/16 wrench or socket wrench.
4. Repeat for the second hole and the remaining three mattress keepers.

Note: There are two left and two right side mattress keepers. When assembling, make sure the high back faces either the front or back of the bed. The tapered side should face the sides of the bed. See DIA 16.

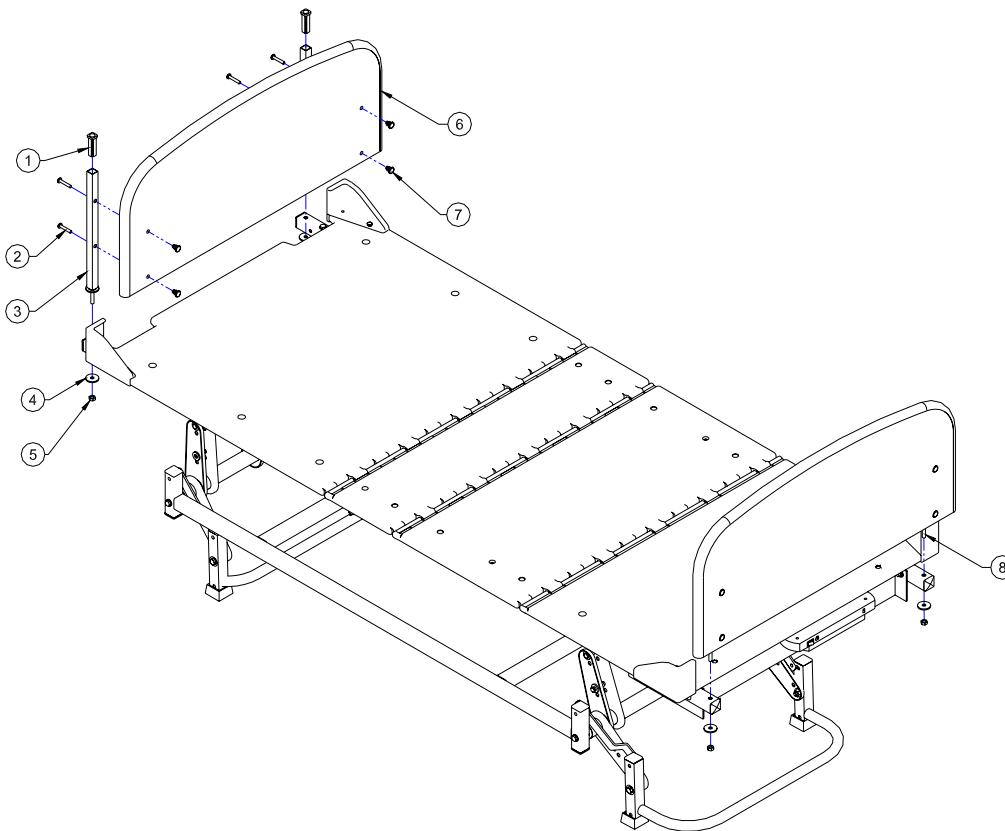
Attach Head Board and Foot Board

Note: The head and foot boards are packaged between the HILO drive tube and the lower frame, secured against the posts of the head end Solo leg. They should be removed during bed unpacking while the bed is still upright. Refer to the appropriate unpacking instruction.

Note: Always attach the boards so that the posts are on the head end side of the boards.

Standard Non-Removable Head Board and Foot Board

Note: The fasteners may work themselves loose through normal use. Periodically ensure the hex nut holding the post in place is still tight.

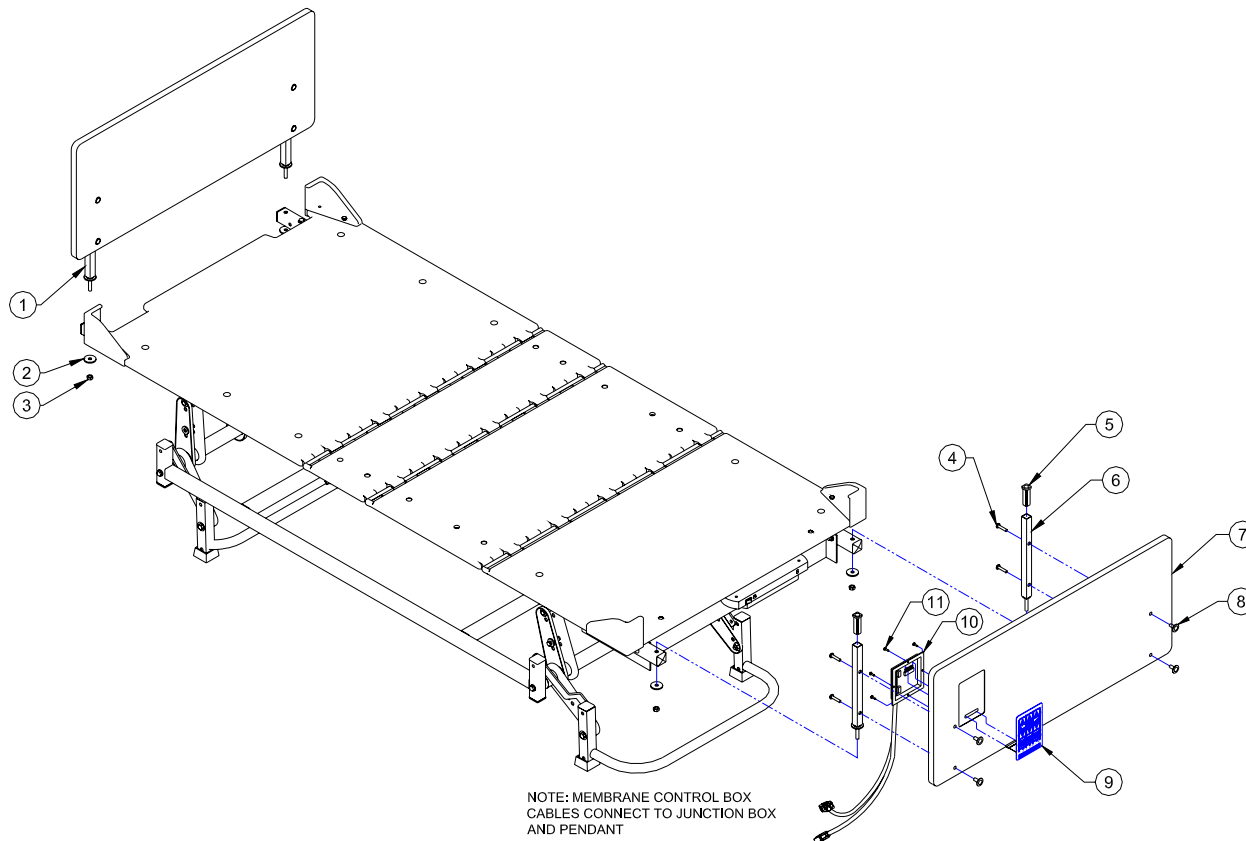


DIA 17

No.	Description	Part Number	QTY
1	Head & Foot Post Plug - IV Rod Holder	PLG343-421-4	4
2	Torx® Drive Machine Screw * 3/4 Board With Square Post * 1 1/8 Board With Square Post	PHMS14-201-14 PHMS14-201-12	8
3	Head Post	PST002-9HC-BP-NT	2
4	Washer 1 1/4 OD X 1 1/32 ID X 1/8 Thick	WSR-114-113-21-8	4
5	Hex Nut 5/16-18	NUT516	4
6	Head / Foot Board	Various See DIA 80 and 81	2
7	Bronze Coated Insert Nut (dark wood) Zinc Coated Insert Nut (light wood)	NUT14I-NSE-RT-BR NUT14I-NSE-RT-ZN	8
8	Foot Post	PST002-9FC-BP-NT	2

1. Insert the threaded rod of the posts through the holes in the bed frame. See DIA 17.
2. Slip the 1 1/4" washer (item 4) on the threaded rod then fasten the 5/16" hex nut (item 5) to the rod. Tighten the hex nut with a 1/2" wrench.

Optional Attendant Membrane Control Foot Board

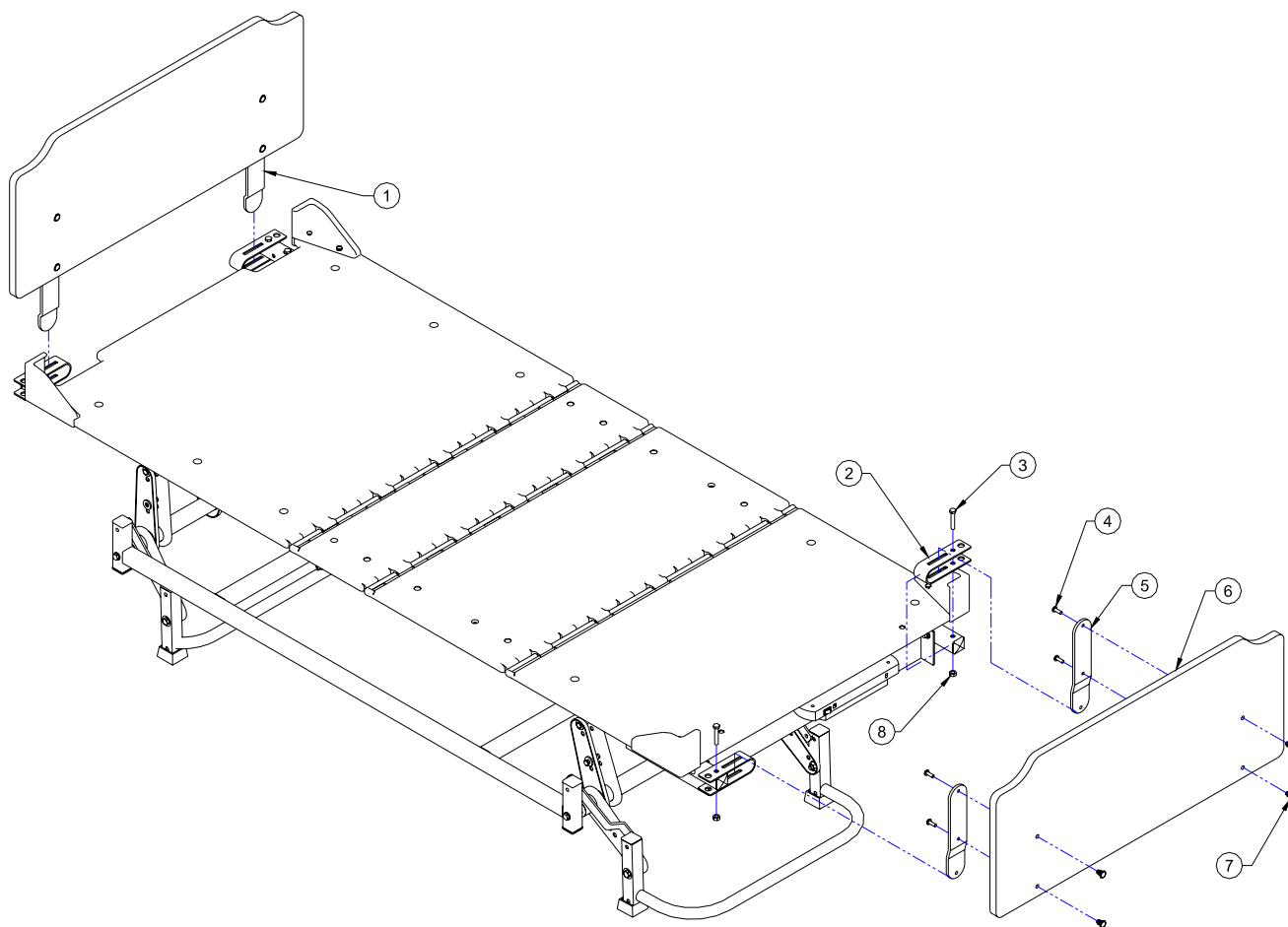


DIA 18

Id.	Description	Part Number	QTY
1	Head Post	PST002-9HC-BP-NT	2
2	Washer 1 1/4 OD X 11/32 ID X 1/8 Thick	WSR-114-113-21-8	4
3	Hex Nut 5/16-18	NUT516	4
4	Torx® Drive Machine Screw * 3/4 Board With Square Post (shown) * 1 1/8 Board With Square Post (not shown)	PHMS14-201-14 PHMS14-201-12	8
5	Head & Foot Post Plug - IV Rod Holder	PLG343-421-4	4
6	Foot Post	PST002-9FC-BP-NT	2
7	Head / Foot Board	Various See DIA 80 and 81	2
8	Bronze Coated Insert Nut (dark wood) Zinc Coated Insert Nut (light wood)	NUT14I-NSE-RT-BR NUT14I-NSE-RT-ZN	8
9	Membrane Control Panel	JNCTNM-EMB-RA-NE	1
10	Membrane Control Box	JNCTNM-EMC-ON-BX	1
11	Wood Screws #6 X 5/8 Rd Washer Hd Sq	FHWHWS-586	4

1. Insert the threaded rod of the posts through the holes in the bed frame. See DIA 18.
2. Slip the 1-1/4" washer (item 2) on the threaded rod then fasten the 5/16" hex nut (item 3) to the rod. Tighten the hex nut with a 1/2" wrench.
3. Unplug the Y cable coupling from the back of the Junction Box. The Junction Box is located at the foot end of the bed on the right hand side (standing at the foot looking towards the head end of the bed). Plug the Y cable coupling to the 9-pin male coupling coming from the membrane control box.
4. Plug the 9-pin female coupling coming from the membrane control box, at the back of foot board, to the 9-pin male coupling on the Junction Box.

Optional Removable Head Board and Foot Board



DIA 19

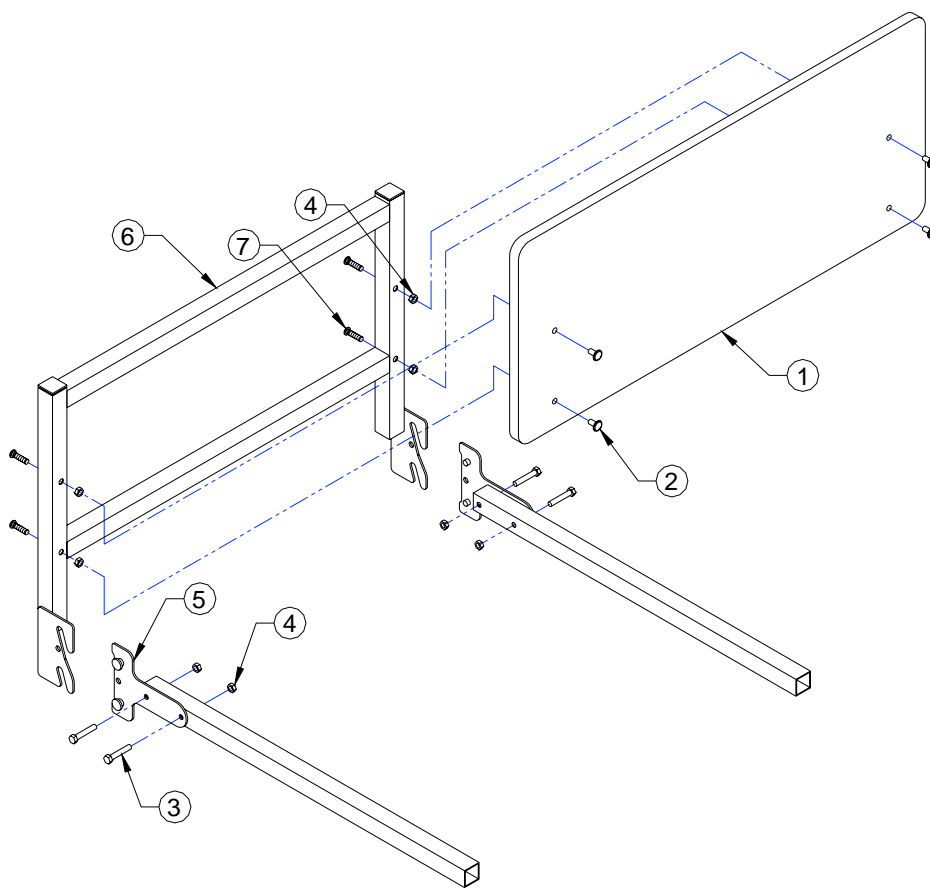
QTY	Part Number	Description	Jo.
2	PSTREM-HEA-D	Head Post - Removable	1
4	PSTREM-BRA-CK-P	Removable Board Bracket	2
4	BLT516-134-P	Hex Bolt 5/16-18 X 1-3/4 Long	3
8	PHMS14-203-4 PHMS14-201-14	Torx® Drive Machine Screw * 3/4 Board With Removable Post * 1 1/8 Board With Removable Post	4
2	PSTREM-FOO-T	Foot Post - Removable	5
2	Various See DIA 80 and 81	Head / Foot Board	6
8	NUT14I-NSE-RT-BR NUT14I-NSE-RT-ZN	Bronze Coated Insert Nut (dark wood) Zinc Coated Insert Nut (light wood)	7
4	NUT516	Hex Nut 5/16-18	8

1. Place the U bracket (item 2) around the main rail, with the slot facing inward. See DIA 19.
2. Align the second hole from the end of the bracket with the post hole on the main rail.
3. Guide a 5/16-18 X 1 3/4" long hex bolt (item 3) through the aligned holes and fasten a 5/16-18 hex nut (item 8) from beneath the bracket.
4. Repeat for the opposite main rail, then repeat for other end.
5. Insert the board posts, with pre-assembled board, into both upper and lower bracket slots on either main rail simultaneously.

Optional Head Board with Trapeze Adapter

Note: Head Frame Adapter Kit (Trapeze mount #1293) will accommodate Lumex® and most other trapezes or "monkey bars", however, check suitability before ordering.

1. Place the male Frencher plate (item 5) on the outside of the main rail, with the rivets facing outward. See DIA 20.
2. Align both holes in the plate with the pre-punched holes in the main rail.
3. Slide a 5/16-18" X 2" long hex bolt (item 3) through the aligned holes from outside the main rail and fasten with a 5/16-18 hex nut (item 4) from inside the main rail.
4. Slide the trapeze adapter frame (item 6) over the Frencher plate rivets while gently lowering the frame assembly.



DIA 20

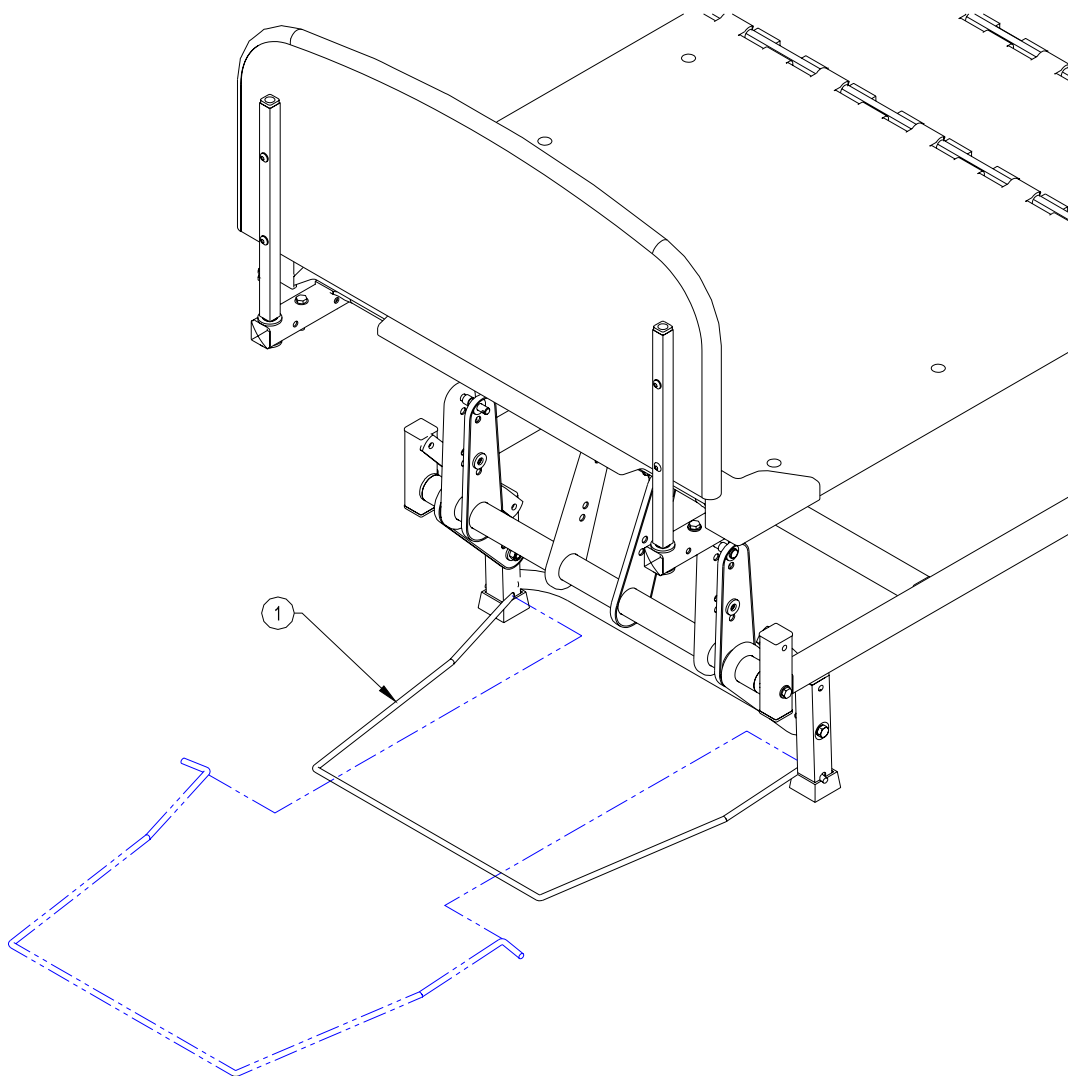
Id.	Description	Part Number	QTY
1	Head Board (Rectangular board shown)	Various See DIA 80 and 81	1
2	Bronze Coated Insert Nut (dark wood) Zinc Coated Insert Nut (light wood)	NUT14I-NSE-RT-BR NUT14I-NSE-RT-ZN	4
3	Hex bolt 5/16 X 2 long	BLT516-2	4
4	Hex nut 5/16	NUT516	8
5	Male Frencher plate	FRENCH-MAL-EP-NT	2
6	Trapeze Adapter	TRAPEZ-EPN-T	1
7	Torx® drive m-screw for 3/4 board Torx® drive m-screw for 1 1/8 board	PHMS14-201-34 PHMS14-202	4

Install the Wire-form Wall Protection

Warning

- The wire form is a chrome rod that prevents the bed frame from denting the wall.
- Failure to install the wire form may result in damage to the facility walls or bed frame.

Note: The wire form wall protector is strapped to the foot deck. Detached it when unpacking the bed. Refer to the Unpacking Instructions on page 6.



DIA 21

Id	Description	Part Number	QTY
1	Wall Bumper Wire Form - 76" Solo	WBBSOL-O76-P	1
	Wall Bumper Wire Form - 80" Solo	WBBSOL-O80-P	

Install the wire form wall protector to the lower leg insert holes at the head end of the bed.

1. Temporarily compress the ends of the wire-form so that they are narrower than the space between the legs.
2. Insert the ends into the inside holes on either leg. See DIA 21.

Carroll Assist Rail – Installation Required

Warning

- FDA Rail Guidelines specify a minimum distance between the rail and the head board. To comply with the guideline, the Assist Rail bracket must be mounted in the correct mounting holes on the main rail. When mounted correctly, the distance between the Assist Rail and the head board will be 12-5/8" for Thinksoft (13" for Designer Series boards). (refer to DIA 24).
- Failure to mount the Assist Rail correctly may result in patient entrapment.

Warning

- Never install two Assist Rails on the same side of the bed. The Assist Rail must be used alone (one on either side) otherwise a serious resident entrapment hazard could result.
- The left-side and right-side Carroll Assist Rails must be installed on the intended side of the bed. They are not interchangeable.

Assist Rail Packaging

Assist rails are packaged separately from the bed in the Assist Rail box. Remove the rails and fit them to the main rails on either side of the bed. Match the corresponding dot on the bracket arm to the same coloured dot on the bed deck.

Mounting the Assist Rail

Mount the Assist rails to the main rails under the sticker on the bed deck that reads, "Mount Assist Rail Here". See DIA 22.

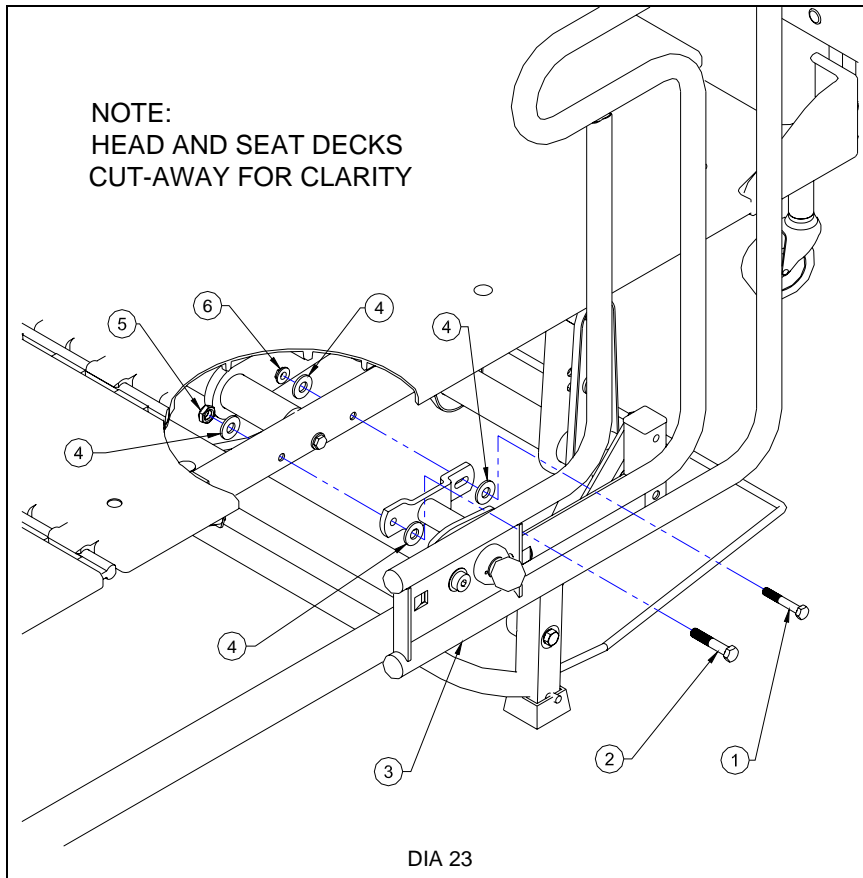


DIA 22

The release knob always faces outward and the bend in the rail points either up, in the “assist” position, or toward the foot of the bed in the “guard” position. See DIA 24.

Assist Rail Mounting

1. Mounting holes on the main rail are below the deck. See DIA 23. Rail shown in Guard position (80" bed).
2. Place one 3/8 Flat washer (item 4) on the 3/8-16 X 2" long hex bolt (item 2) and push this from outside the bracket, through the mounting hole in the main rail. Place another 3/8 washer over the bolt on the inside main rail mounting hole then secure with a 3/8-16 jam nut. Use two 9/16" wrenches to tighten the bolt while holding the nut. See DIA 23.
3. Place one 3/8 Flat washer (item 4) on the 5/16-18 X 2" long hex bolt (item 1) and push this from outside the bracket, through the mounting hole in the main rail. Place another 3/8 washer over the bolt on the inside main rail mounting hole then secure with a 5/16-18 flange nut. Tighten with two 1/2" wrenches.



4. Repeat the installation for the opposite side Assist Rail.

Nc	Description	Part Number	Qty
1	Hex Bolt 5/16-18 X 2 Long	BLT516-2P	2
2	Hex Bolt 3/8-16 X 2 Long	BLT382-P	2
3	Assist Rail Side Mount - Left Side (Not Shown) / Assist Rail Side Mount - Right Side (Shown) /	RL3-010-26-1 RR3-010-26-1	1 1
4	Flat Washer for 3/8 Bolt	WSR38U-SS	8
5	Locking Jam Nut 3/8-16	NUT38N-L	2
6	Flange Nut 5/16-18	NUT516-FL	2

When installed properly, the Space between Assist Rail and Head board should be as follows:

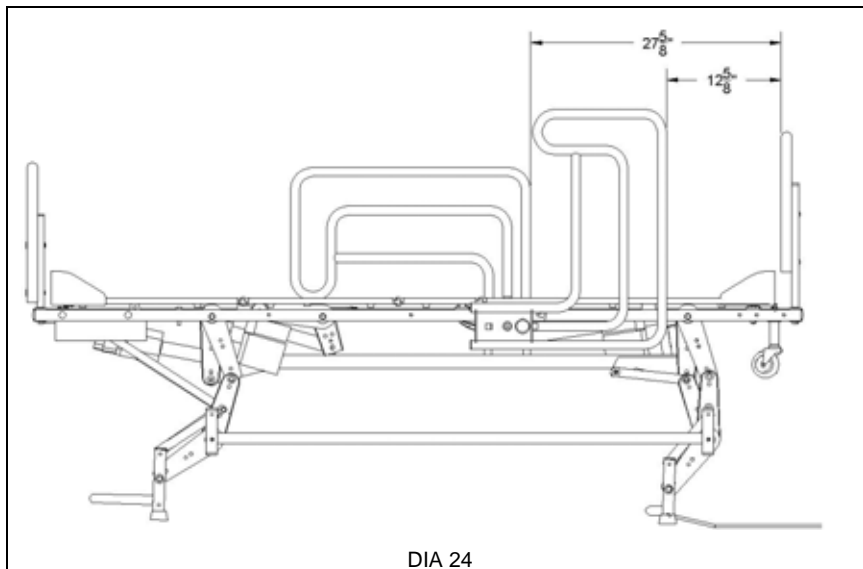
Regular Boards

In Assist Position (up): 13"
In Guard Position (down): 28"

Think Soft Boards

In Assist Position (up): 12-5/8"
In Guard Position (down): 27-5/8"

The bracket mounting point will become the pivot point that is fixed on the main rail, enabling the Assist rail to rotate from the Guard to Assist to Transfer position. See DIA 24.









BED FEATURES - IMMOBILIZER LEG SYSTEM / HILO FUNCTION

Warning

- Never leave the bed unattended while the wheels are in contact with the floor.
- For safety reasons, ensure that the Immobilizer feet are engaged before leaving the bed unattended.
- Do not move the bed until the Immobilizer feet no longer contact the floor.

Failure to follow the foregoing warnings may result in property damage or resident injury.

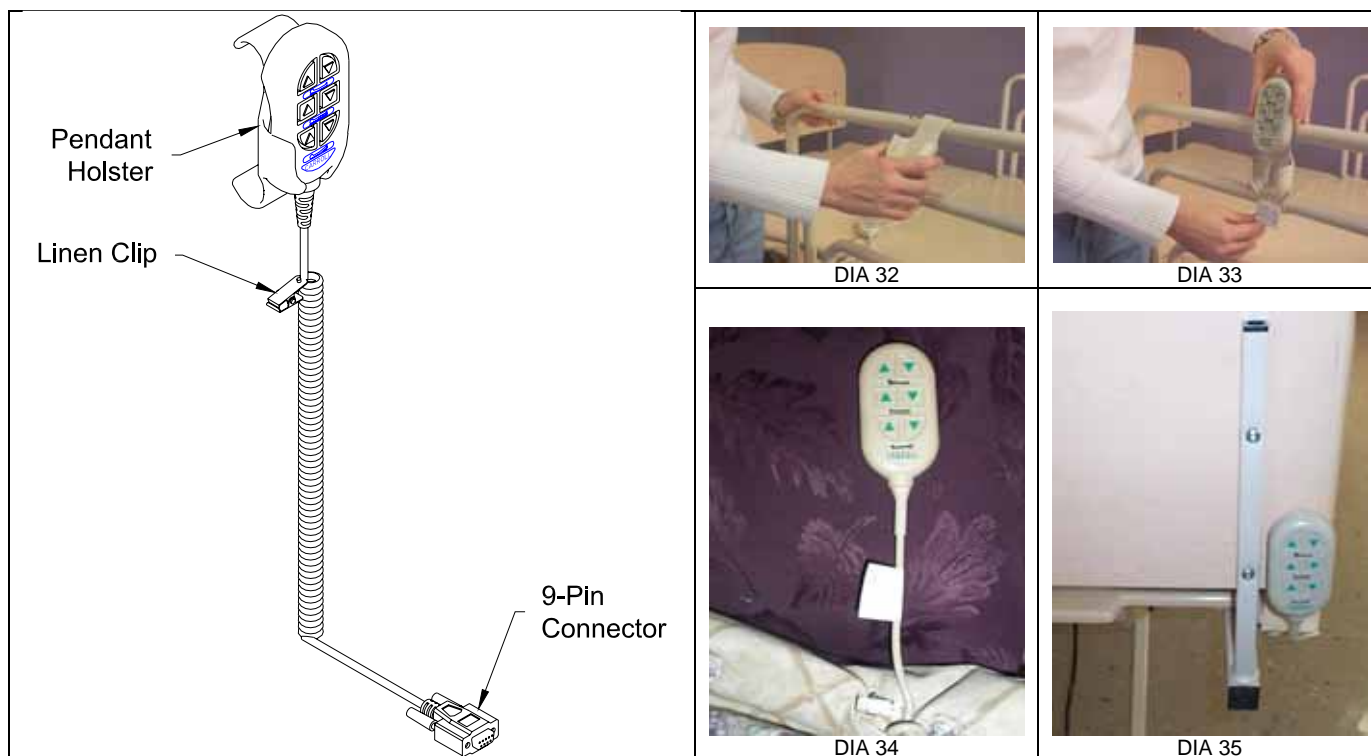
Bed stabilization is achieved by activating the Hilo UP arrow on the hand control pendant. The immobilization feet operate in two modes as follows:

Mode	Hand Control Button	Membrane Button	Bed Position
<u>Immobilized</u> Typical mode used to stabilize the bed from shifting.	 DIA 25	 DIA 26	 DIA 27
<u>Mobilized</u> Mode used when moving the bed.	 DIA 28	 DIA 29	 DIA 30

Pendant Stowage

Pendant can stow in three ways:

1. Inside the Pendant holster. Clip the holster between the Assist Rail bars on the outside of the bed. See DIA 32. The Pendant slips into the holster for easy access. See DIA 33.
2. Secured with the spring loaded linen clip on the bedding. See DIA 34.
3. Placed on the adhesive Velcro® strip at the back of the Head Board. See DIA 35.



Pendant location

Warning

- Before working on any electrical part, such as the 9-pin pendant coupling, ensure the main power to the bed is disconnected and the capacitor inside the control box is fully discharged.
- Full capacitor discharge can be achieved by sequentially depressing the 'Up' and 'Down' buttons on the pendant at least 20 times, after main electrical power to the control box is cut.

The Hand Control Pendant can be located on either side of the bed, just beneath the seat deck panel. To move the pendant to the opposite side of the bed, first, disconnect the 9-pin pendant wire coupling, then reconnect the pendant cable to the female 9-pin coupling on the other side of the bed. See DIA 36 and 37.



DIA 36



DIA 37

Bed Elevation - HILO Function

To raise the bed press the middle left button on the hand pendant or the top middle button on the membrane control pad. See DIA 38 and 39. Release the button when the desired level is reached. See DIA 40.



DIA 38



DIA 39



DIA 40

To lower the bed press the middle right button on the hand pendant or the middle second row button on the membrane control pad. See DIA 41 and 42. Release the button when the desired level is reached. See DIA 43.



DIA 41



DIA 42



DIA 43

Head Elevation - Head Motor Function

To raise the head section press the top left button on the hand pendant or the top left button on the membrane control pad. See DIA 44 and 45. Release the button when the desired head panel angle between 0 and 70° is reached. See DIA 46.



DIA 44



DIA 45



DIA 46

To lower the bed press the top right button on the hand pendant or the left second row button on the attendant control pad. See DIA 47 and 48. Release the button when the desired head panel angle between 0 and 70° is reached. See DIA 49.



DIA 47



DIA 48



DIA 49

Knee-Foot Elevation - Foot Motor Function

Note: It may be beneficial to elevate the foot and knee sections when the head is elevated, in order to prevent the resident from sliding down the mattress.

To raise the knee-foot section press the bottom left button on the hand pendant or the top right button on the membrane control pad. See DIA 50 and 51. Release the button when the desired head panel angle between 0 and 25° is reached. See DIA 52.



DIA 50



DIA 51



DIA 52

To lower the bed press the bottom right button on the hand pendant or the right second row button on the membrane control pad. See DIA 53 and 54. Release the button when the desired head panel angle between 0 and 25° is reached. See DIA 55.



DIA 53



DIA 54



DIA 55

PENDANT LOCK OUT

Pendant lock out restricts the resident from activating various bed features via the hand control pendant. The degree of restriction depends on the lock out option selected.

Standard Pendant Lock out

An illuminated toggle switch on the junction box, which is located at the foot end of the bed, activates the Pendant HILO function lock-out. See DIA 56. Once pressed, the switch becomes illuminated and the HILO function on the pendant will NOT operate.

The head function and foot function on the pendant will remain operational whether the lock-out is on or off.



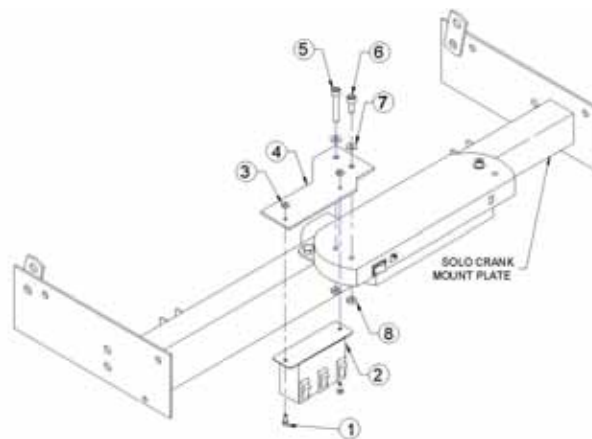
DIA 56

Optional Pendant 3 Function Lock out

Note: To disable the HILO lock out feature, both the lock out switch on the junction box and the HILO switch on the three function lock out must be off. Activation of either of these switches will lock out the HILO operation on the pendant.

If ordered as a bed option, the three function lock out box is located next to the junction box at the foot end of the bed.

The three function lock out box allows individual features on the pendant to be locked out together or by themselves. Press the respective illuminated toggle switches in any combination to activate the appropriate lock out.



DIA 57

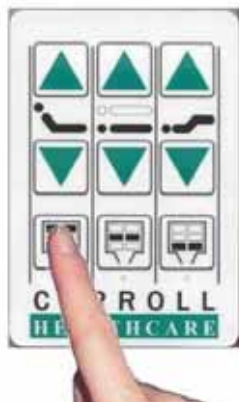
No	Description	Part Number	Qty
1	#6-32 x 3/8 Lg. Socket head cap screw	BLT632-38	2
2	3 Function Junction box	JNCTN3-FNL-VB-OX	1
3	#6 Keps Nut	NUT632-KEP-S	2
4	Solo 3 Function Junction Box Bracket	JNCTNB-R3F-N8-OP	1
5	#10-24 X 1-1/2 Lg. Socket Head Cap Screw	BLT101-12H-SC	1
6	#10-24 X 1.0 Lg. Socket Head Cap Screw	BLT102-41H-SC	1
7	#10 Washer	WSR#10-FLA-T	2
8	#10 Keps Nut	NUT102-4KE-PS	2

Pendant Lock Out Via Membrane Control Panel Option

Note: By default, all pendant control is initially locked out after main power connection to a wall outlet. To deactivate the lock out feature, all three lock out LED's must be toggled OFF.

The foot board membrane allows dual control from the soft touch panel located in the foot board or control from the pendant.

Pendant functions may be locked out individually or in tandem by toggling the appropriate Lock Out buttons on the attendant control pad. When the corresponding LED is illuminated, the lock out is deactivated. When the corresponding LED is not illuminated, the pendant feature is locked-out. See DIA 58 (Head section lock out), DIA 59 (HILO lock out) and DIA 60 (knee-foot lock out).



DIA 58



DIA 59



DIA 60

ASSIST RAIL OPERATION (STANDARD)

Operation of the Standard Assist Rail

It is important that caregivers know how to operate the Assist Rails safely. Assist Rails lock in two positions and allow patient transfer in a third unlocked position:

1. In the “Guard” position, the patient is contained in the bed with a subtle reminder of the bed edge location.
2. In the “Assist” position, the patient is aided in entering and leaving the bed.

Note The Assist Rail can travel beyond the "Assist" position to allow patient transfer to and from the bed with the rail out of the way.

Warning

- Once transfer is complete, the rail must be returned to either of the "locking" positions (Guard or Assist) to avoid patient entrapment.

Change Assist Rail From “Guard” to “Assist”

1. Pull the release knob at the bottom of the rail (see DIA 61) and rotate the rail around the pivot point. (Assist rail shown in GUARD position).
2. As soon as rotation begins, you may let go of the pull knob. See DIA 62.



DIA 61



DIA 62



DIA 63

- Continue to rotate the rail until it clicks into the ASSIST position. See DIA 63 (Assist rail shown in ASSIST position). To change position back to GUARD position, pull the release knob as shown in DIA 61 and reverse the process.

NON-TUCK SIDE RAIL OPERATION (OPTIONAL)

Move Side Rail From DOWN to UP position (Non Tuckable Side Rails ONLY)

- Gently lift the rail to the UP position. The Rail will first arc toward the foot end then the head end as it moves to the UP position. See DIA 64. (An audible "click" can be heard when the UP position is reached).



DIA 64



DIA 65



DIA 66

Move Side Rail From UP to DOWN position (Non tuckable Side Rails ONLY)

- Pull the black release knob while pushing down on the side rail. See DIA 65. The Rail will first arc toward the foot end then the head end as it moves to the DOWN position. See DIA 66.

CARE AND MAINTENANCE

Very little maintenance is required to keep the Solo bed and rails in good working order.

CAUTION: DO NOT use solvents, alcohol or petroleum products on the surface.

DO NOT submerge the bed frame or electrical parts

DO NOT allow liquids to enter electrical components.

DO NOT Steam Clean or Pressure Wash.

Failure to follow the foregoing points may result in damage to the bed, damage to property or resident injury.

Sterilisation Method

All surfaces may be cleaned with:

- soapy water or
- any common consumer disinfecting product, or
- most non-abrasive commercially available disinfecting products.

Yearly Maintenance

- Inspect for damaged or loose wiring. Have a qualified electrician replace any frayed or damaged cords.
- Inspect for secure grounding.
- Ensure that the rails engage and lock as specified.
- Tighten, adjust or replace any parts or bolts etc. that are loose or show signs of wear.
- If epoxy coated rails become scratched or chipped, use a matching enamel touch up paint. (Refer to Options Information on page 25 for paint specifications).

Storage Environment Conditions

- The Solo Bed should be stored in a clean and dry environment with an ambient temperature range between 15 and 30 Celsius (59° to 86° F).

Transportation Environmental Conditions

- The environment for transportation of the Solo bed should be clean and dry.

Deck Removal - Head Deck

The head deck is removable for thorough cleaning or for service access to the lower frame mechanical components.

Lift the head deck until it is at a 90-degree angle to the stationary (bolted) seat section deck. See DIA 67. The head deck can now be lifted straight up, detaching it from bed. See DIA 68.



DIA 67



DIA 68

To re-install the panel, hold it at 90 degrees to the seat panel and re-align the lobes of the hinge with the continuous hinge of the seat section.

Note When reinstalling the deck, Make sure all the lobes are completely engaged (especially in the centre).

Check for engagement by gently moving the deck up and down.

The deck should swing freely without binding.

Deck Removal - Foot Deck

1. The foot deck can be removed by lifting the foot and knee decks together until the angle between them is 90°. See DIA 69.

2. Lift the foot deck away from the knee deck at the hinge, to separate the decks. See DIA 70.
3. Bend the foot deck over the mattress keeper - foot bale assembly to expose the underside of the deck. Compress the foot bale ends inward to disengage the 3/8" foot bale from the mounting holes. See DIA 71.
4. Re-install in the reverse order.



DIA 69



DIA 70



DIA 71

Deck Removal - Knee Deck

Once the foot deck is removed, the knee deck can be separated from the stationary seat deck. Lift the knee until it is at 90° to the seat deck. See DIA 72. Using a horizontal force, strike the knee deck near the hinge to separate the decks. See DIA 73.



DIA 72



DIA 73

Deck Removal - Seat Deck

The seat panel is attached to the bed frame with two bolt and nut fasteners. Although it is not designed for routine removal, it can be removed, if necessary, using a 1/2" wrench. Unscrew the hex nut from the carriage bolt beneath the main rail. See DIA 74. Repeat for the opposite side, being careful to save the fasteners.



DIA 74

BEFORE CALLING THE FACTORY

To ensure prompt and accurate attention to your concerns please have the following information available before you call:

Your facility's phone number : <i>(Where you can be reached):</i>	
Your facility's fax number <i>(If Available):</i>	
Bed(s) Model and Type :	
Bed(s) Serial Number	
Date of Manufacture:	
List of defective part(s) <i>(Identify by part number, or describe relative to nearest numbered part):</i>	
List of deficiencies or Type of problem :	

NOTE: Left/right determination is made standing at the foot of the bed, facing the resident.

If you have carefully followed all of these instructions, you should have many years of trouble free service. If you're not 100% satisfied with your bed, please call your sales representative or the factory immediately. It's always better to ask if you have any questions such as hole drilling locations in head and foot boards, electrical service or modifications, or any minor damage that could lead to more serious consequences.

If you require further information regarding circuit diagrams, component part lists, descriptions etc. please call the number below.

Call Carroll Healthcare Inc. at (519) 659-1395) or Toll Free 1-800-668-2337.

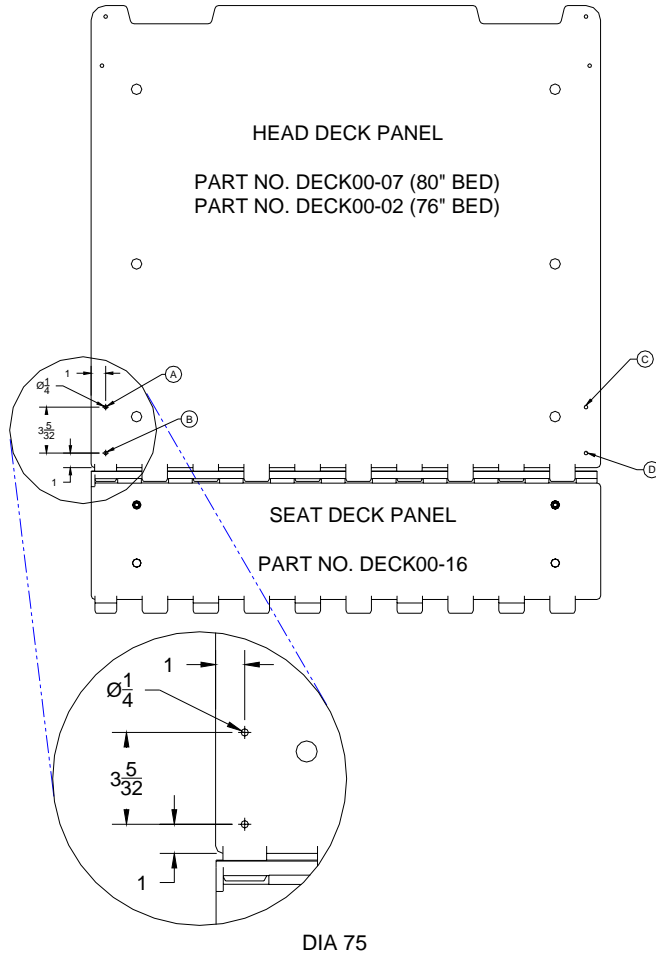
Mailing Address: 994 Hargrieve Road, London, Ontario, CANADA, N6E 1P5.

www.carrollhealthcare.com

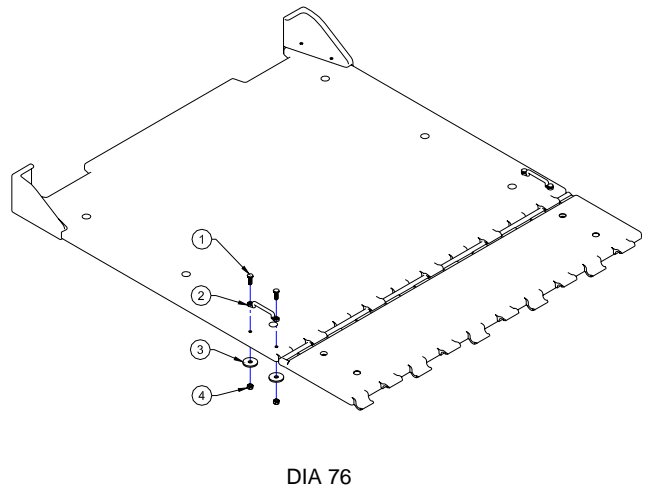
email: service@carrollhealthcare.com

OPTIONS INFORMATION

- 1. Patient Restraint Bracket. Part # 5301 (order as **KIT 18**).**
 (Attaches to the head deck panel). See DIA 75 and 76.



1. Drill four $\text{\O}1/4$ holes in the head deck section, as shown in DIA 75 (Holes A, B, C and D). The hole centres should be 1" in from the outside edge, spaced $3\text{-}5/32$ " apart.
2. Assembly the Restraint Bracket (Item 2 in DIA 76) to the deck panel. Use the $1/4\text{-}20 \times 3/4$ long hex bolt, flat washer and locking hex nut to fasten together. Do Not Over-tighten.



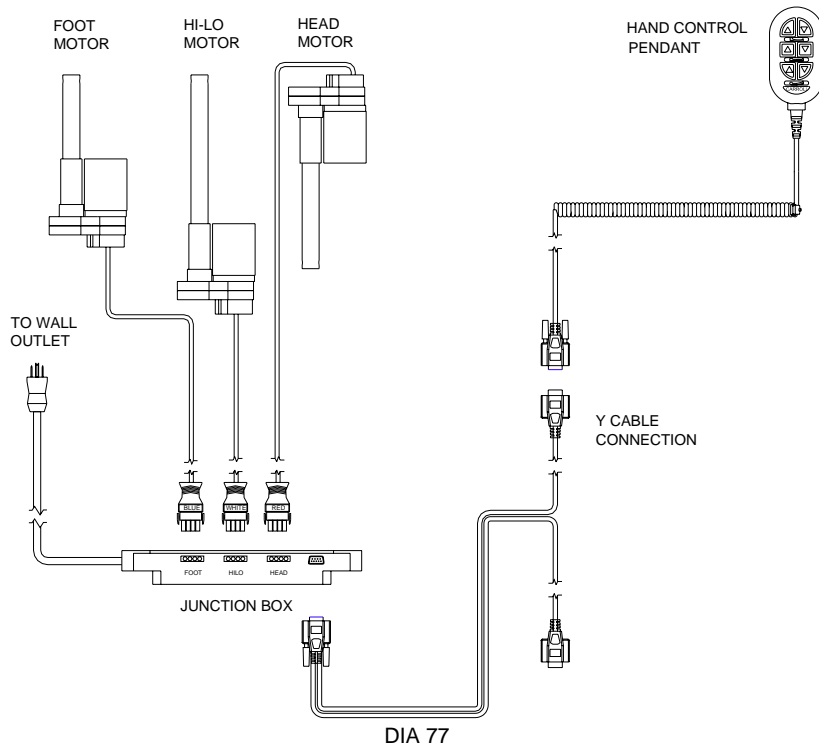
No	Description	Part Number	Qty
1	1/4-20 x 3/4 long Hex Bolt	BLT143-4	4
2	Restraint Bracket	MFOOTM-ANL-OO-P	2
3	Washer 1 1/4 OD X 11/32 ID X 1/8 Thick	WSR-114-113-21-8	4
4	1/4" Nylon Lock Nut	NUT14L	4
1,2,3,4	Patient Restraint Bracket Kit	KIT18	-

- 2. Touch up paint Sherwin Williams Auto #35-30041 – Cream.**

ELECTRICAL SCHEMATICS

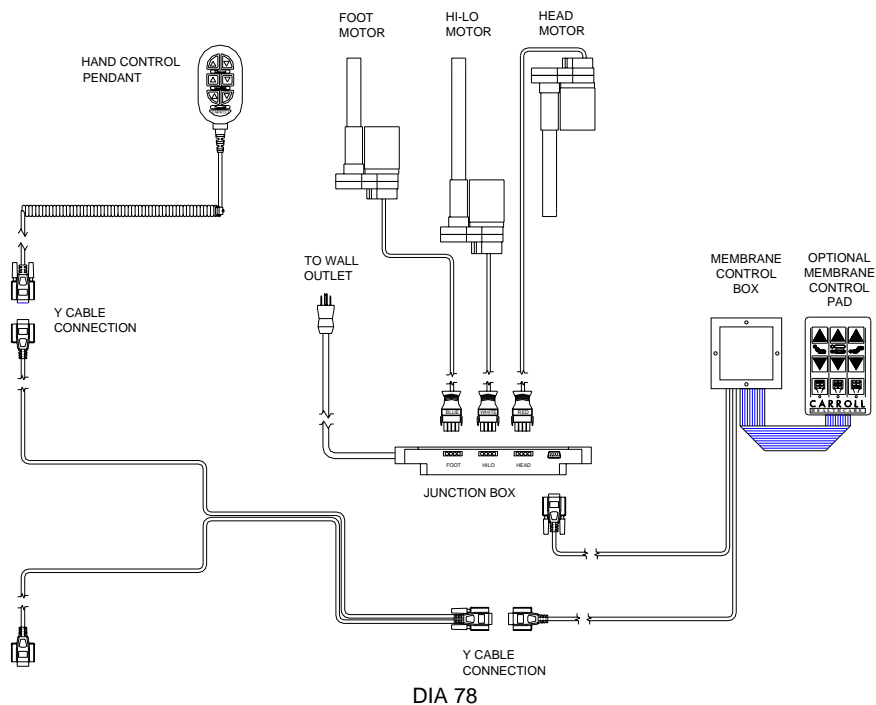
Wiring Schematic - Standard 76" Solo and 80" Solo

Standard 76" and 80" Solo bed uses a 6 function hand control pendant with three motors and master HILO lock out on the junction box, which is mounted on the crank mount at the foot end of the bed. See DIA 77.



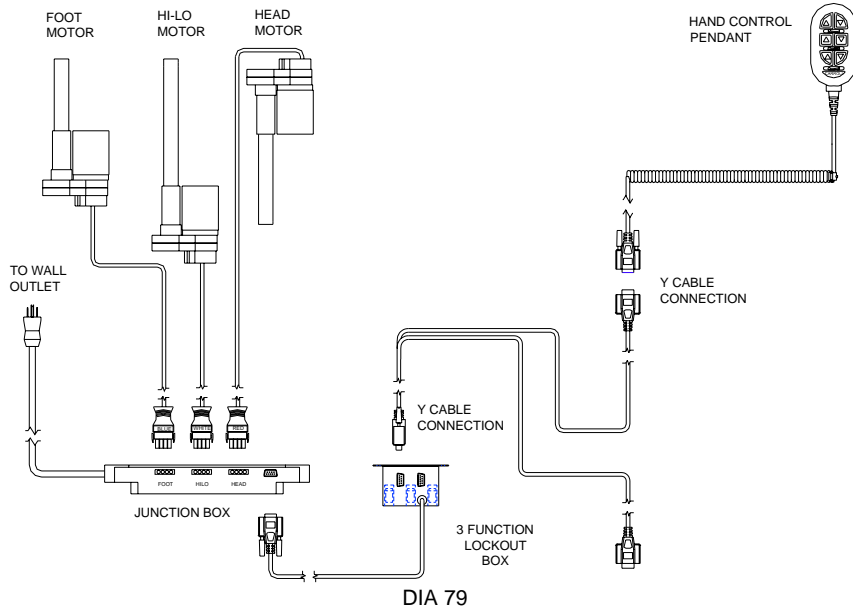
Wiring Schematic - 76" Solo with Membrane and 80" Solo with Membrane

The addition of a membrane control panel to the foot board of the bed creates a pendant by-pass, allowing for the lock-out of all bed functions by themselves or in tandem with other functions. See DIA 78.



Wiring Schematic - 76" and 80" Solo with 3 Function Lockout

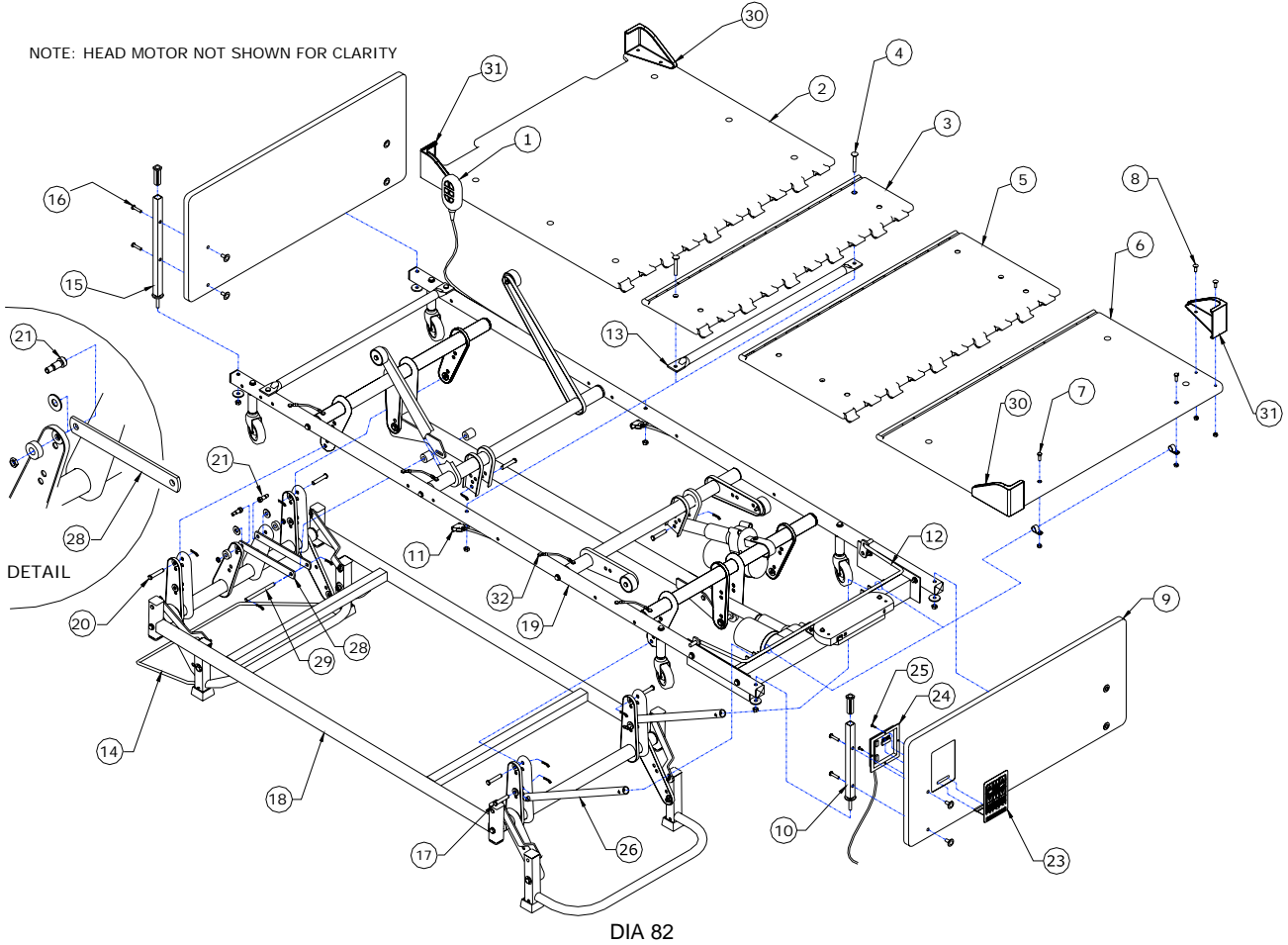
The three function lock out box is a bypass switch between junction box and hand control pendant. The three function lock out allows the lock-out of all bed functions by themselves or in tandem with other functions. The box is mounted next to the junction box at the foot of the Solo bed. See DIA 79.



Head Board and Foot Board Options

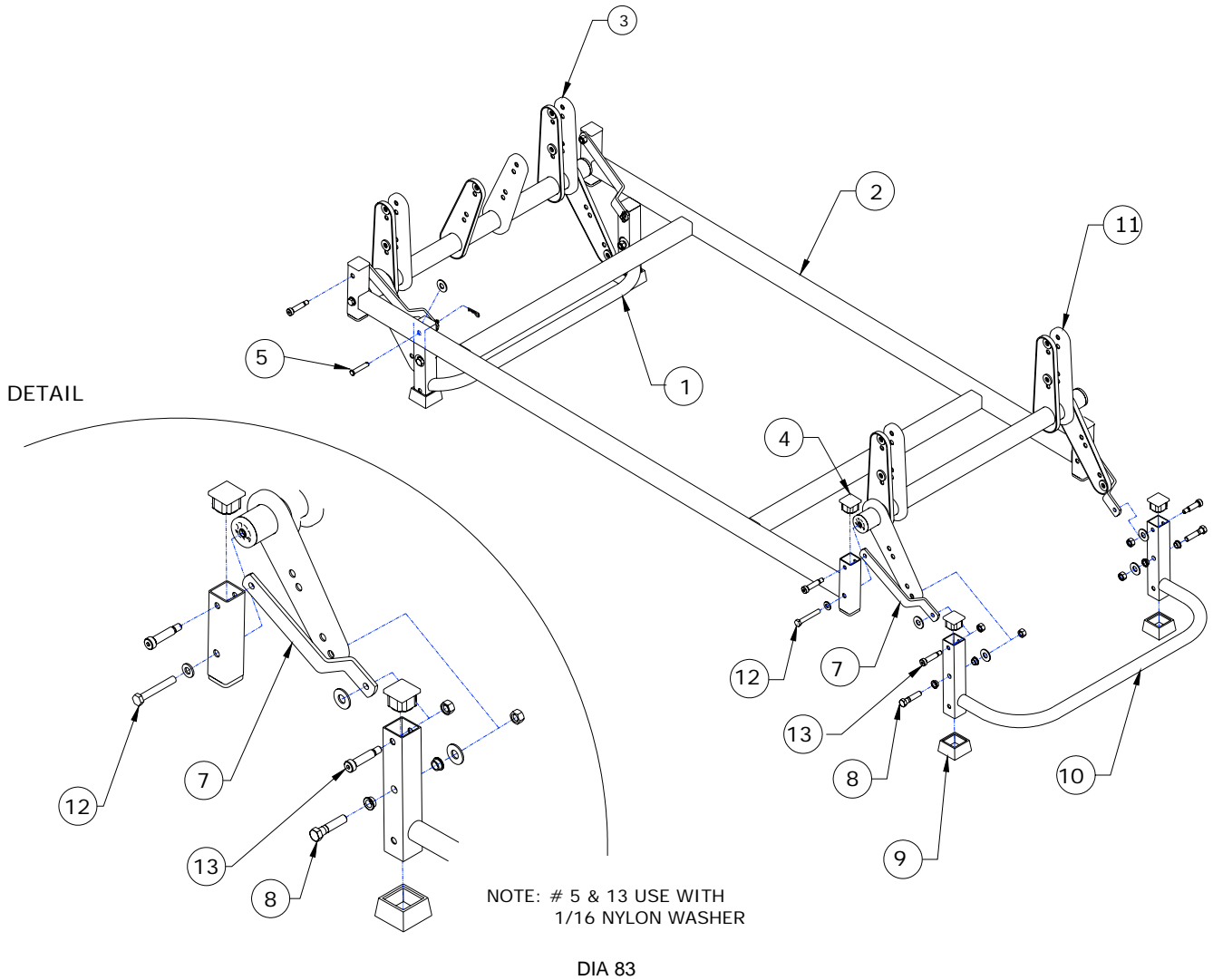
Style	Options			
	Colour	Width	Mobility	Pocketing
<p>THINKSOFT - REGULAR 1-1/8" THICK</p> <p>DIA 80</p>	<ul style="list-style-type: none"> ▪ Solar Oak ▪ Regal Mahogany ▪ Honey Maple ▪ Carmel Cherry 	<ul style="list-style-type: none"> ▪ 36" ▪ 39" 	<ul style="list-style-type: none"> ▪ Fixed ▪ Removable 	<ul style="list-style-type: none"> ▪ Membrane Pocket (Foot Board ONLY)
<p>REGENCY - REGULAR 3/4" THICK</p>	<ul style="list-style-type: none"> ▪ Solar Oak ▪ Regal Mahogany ▪ Honey Maple ▪ Carmel Cherry ▪ Gunstock Walnut ▪ Flat Cut English Oak ▪ Pale Oak ▪ Sliced Red Oak ▪ Wisconsin Oak 	<ul style="list-style-type: none"> ▪ 36" ▪ 39" 	<ul style="list-style-type: none"> ▪ Fixed ▪ Removable 	<ul style="list-style-type: none"> ▪ Membrane Pocket (Foot Board ONLY)
<p>TRADITIONAL - REGULAR 3/4" THICK</p>				
<p>VILLA - REGULAR 3/4" THICK</p>				
<p>CANADIANA - REGULAR 3/4" THICK</p>				
<p>STANDARD - REGULAR 3/4" THICK</p> <p>DIA 81</p>				

SOLO ELECTRIC BED - FULL ASSEMBLY



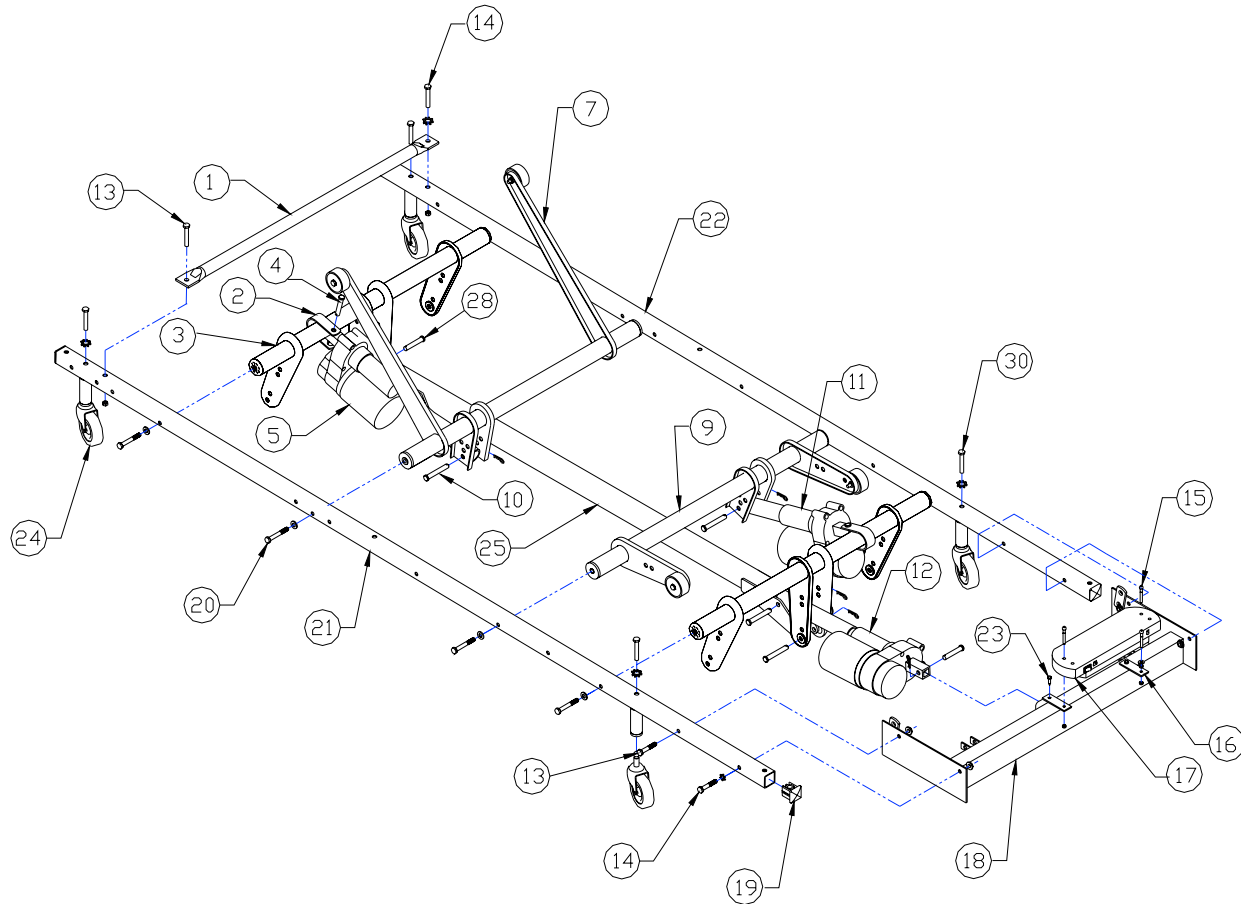
Ref	Description	Part No.	Qty
1	6 Function Pendant with Pendant Velcro Strip, use with Pendant Holster (Not Shown)	PNDNT6-FNC-IV use with PNDNTH-OLS-TE-RS (Not Shown)	1
2	Mattress Platform - Head Section 35 X 32 Composite for 80" Solo Mattress Platform - Head Section 35 X 28 Composite for 76" Solo	DECK00-07 (shown) DECK00-02 (not shown)	1
3	Mattress Platform - Seat Section 35 X 8 Composite	DECK00-16	1
4	Carriage Bolt 5/16-18 X 2-1/4 Long COMES WITH Hex Nut 5/16-18	BLT516-214-C comes with NUT516	2
5	Mattress Platform - Knee Section 35 X 18 Composite	DECK00-11	1
6	Mattress Platform - Foot Section 35 X 22 Composite	DECK00-05	1
7	Hex Head Bolt 1/4-20 X 3/4 Long COMES WITH P Clip & Hex Nut 1/4-20	BLT143-4 comes with BAILCL-IP & NUT14	2
8	Carriage Bolt 14-20 X 5/8 Long COMES WITH 1/4-20 Hex Nut	BLT145-8C comes with NUT14	8
9	Head / Foot Board (Foot board indicated)	Refer to DIA 80 and 81	2
10	Foot Post (Standard shown - other styles available) c/w Head & Foot Post Plug - IV Rod Holder, Flat Washer 1-1/4 OD X 11/32 ID X 1/8 Thick, & Hex Nut 5/16-18 UNC	PST002-9FC-BP-NT (shown) c/w PLG343-421-4, WSR114-113-21-8P & NUT516 (Other styles not shown)	2
11	Pendant T Cable	PNDNTT-CAB-LE	1
12	Foot Bail	BAIL00-01	1
13	Joiner Tube	JNR001-6PN-T	1
14	Solo II Wire Form Wall Bumper	WBBSOL-OP	1
15	Head Post (Standard shown - other styles available) COMES WITH Head & Foot Post Plug - IV Rod Holder, Flat Washer 1-1/4 OD X 11/32 ID X 1/8 Thick, & Hex Nut 5/16-18 UNC	PST002-9HC-BP-NT (shown) c/w PLG343-421-4, WSR114-113-21-8P & NUT516 (Other styles not shown)	2
16	Torx® Drive Screw 1/4-20 UNC X 1-1/4 Long COMES WITH EITHER Bronze Coated Insert Nut (for Dark Wood) OR Zinc Coated Insert Nut (for Light Wood)	PHMS14-201-14 (shown) c/w NUT14I-NSE-RT-BR or NUT14I-NSE-RT-ZN	2
17	Clevis Pin 3/8 X 2 Long COMES WITH 3/8 X 1 Long Spacer & Hitch Pin	PIN380-2 c/w WSRSPA-381 & PIN-13	2
18	Solo II Bed - Lower Frame Assembly and Parts	See DIA 83	1
19	Solo II Bed - Upper Frame Assembly and Parts	See DIA 84	1
20	Clevis Pin 3/8 X 2 Long c/w Hitch Pin	PIN380-2 c/w PIN-13	2
21	Socket Head Shoulder Bolt 3/8 X 5/8 Long COMES WITH 3/8 ID X 3/4 OD X 1/16 Flat washer AND 3/8 ID X 5/16 Washer AND 5/16-18 Nut	BLT385-8HS-SB c/w WSR383-411-6N & WSR383-451-6N & NUT516	2
23	Membrane Control Panel (Optional on '151' beds only)	JNCTNM-EMB-RA-NE	1
24	Membrane Control Box (Optional on '151' beds only)	JNCTNM-EMB-RA-NC	1
25	Wood Screw #6 X 5/8 RD WSHR HD SQ (Optional on '151' beds only)	FHWHWS-586	4
26	Solo Control Arms	TBR781-718-12-PN	2
28	Solo II HILO Drive Link Plated	LNK001-7PL	2
29	Pin 3/8 X 4-1/2 Long c/w (2X) Nylon Spacer 3/8 X 15/16 Long & (1X) Hitch Pin	PIN384-12H-AR-D c/w (2X) WSR383-415-16-N & (1X) PIN-13	1
30	Mattress Keeper A	MATTKP-RCN-RF-L	2
31	Mattress Keeper B	MATTKP-RCN-RF-R	2
32	Ground Wire 4.75 Long COMES WITH Tek® Screw #10 X 3/4 Long	JNCTNG-RND-04-34 c/w TEKSCR-HX#-10-34	6

SOLO BED ASSEMBLY - LOWER FRAME DETAIL



Ref	Description	Part No.	Qty
1	Solo II Head End Leg - Painted (See DIA 88 for Service Assembly)	LEG000-4BP-NT	1
2	Solo II Lower Frame - Painted (See DIA 87 for Service Assembly)	LWRFRP-NT1	1
3	Solo II Lower HILO 8 Arm Gatch Assembly (See DIA 93 for Service Assembly)	HILOLO-WER-AS-Y1	1
4	Tube Insert Plug	PLG240	8
5	Clevis Pin 5/16 X 1-11/16 COMES WITH Hitch Pin	PIN516-111-16 c/w PIN-13	8
7	HILO HD / FT End Linkage	LNK001-3PN-T	4
8	Hex Head Bolt 3/8 X 2 Long COMES WITH 3/8 WASHER, 3/8 Locking Hex Nut & (2X) Oil-light Bushing 3/8 ID X 1/2 Long	BLT382 c/w WSR38U-SS, NUT38L & (2X) BSH38	4
9	Bed Gripper Foot	GLDBED-FOO-T	4
10	Solo II Foot End Leg Painted (See DIA 89 for Service Assembly)	LEG000-3CP-NT	1
11	Solo II lower HILO 6 Arm Gatch Assembly (See DIA 94 for Service Assembly)	HILOLO-WER-AS-Y2	1
12	Hex Head Bolt 5/16-18 X 2-1/4 Long C/W 5/16 Flat Washer	BLT516-214 c/w WSR516-SAE	4
13	Hex Head Shoulder Bolt Ø5/16, 1/4-20 X 1-1/2 Long C/W Flat Washer 1/16 thick AND Hex Nut 1/4-20	BLT516-112-HS-SB c/w WSR383-411-6N & NUT14	6

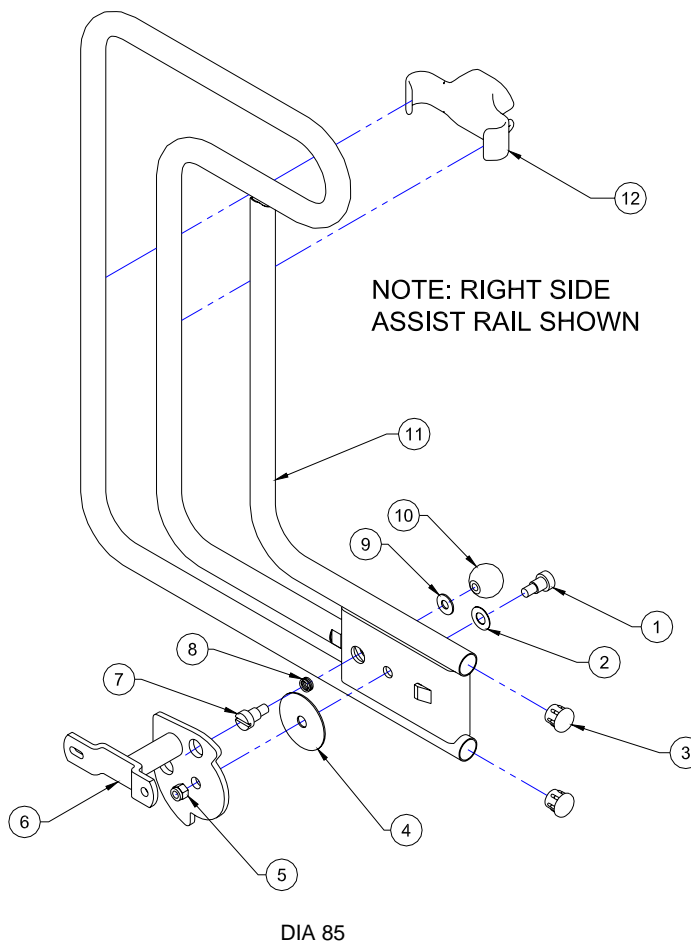
SOLO BED ASSEMBLY - UPPER FRAME DETAIL



DIA 84

Ref	Description	Part No.	Qty
1	Joiner Tube	JNR001-6PN-T	1
2	Motor Mount Bracket	MTRBRA-CKE-LH-PN	2
3	Solo II Upper Hilo Gatch Assembly (See DIA 95 for Service Assembly)	HILOUP-PER-AS-SY	2
4	Clevis Pin 3/8 X 2 Long COMES WITH Hitch Pin, Nylon Spacer & 8 Wire Tie	PIN380-2 c/w PIN-13, WSR589-321-36-1 & WIRETI-E8	2
5	Head Motor	MTRM21-33	1
7	Head Gatch Assembly (See DIA 91 for Service Assembly)	GATHEA-DAA-SS-Y	1
9	Foot Gatch Assembly (See DIA 92 for Service Assembly)	GATFOO-TAS-SY	1
10	Clevis Pin 3/8 X 2 Long c/w Hitch Pin	PIN380-2 c/w PIN13	2
11	Foot Motor	MTRM21-34	1
12	HILO Motor	MTRM21-78	1
13	Hex Head Bolt 5/16-18 X 1-3/4 Long COMES WITH Locking Flange Nut 516-18	BLT516-134 c/w NUT516-FLL	1
14	Hex Head Bolt 5/16-18 X 1-3/4 Long COMES WITH Lock Washer 5/16 & Locking Flange Nut 516-18	BLT516-134 c/w WSREXT-516 & NUT516-FLL	4
15	Socket Head Cap Screw #10-24 X 1-1/2 Long C/W #10 Washer & #10 Keps® Nut	BLT102-411-2H-SC c/w WSR#10-FLA-T & NUT102-4KE-PS	2
16	Solo Junction Box Mounting Bracket	JNCTNB-OXS-OL-OB	2
17	Junction Box	JNCTNB-OX	1
18	Solo Crank Mount Plate	MNT001-8BP-NT	1
19	Main Rail End Plug - Pedestal Insert	PLG114-PED-ES-TA	4
20	Hex Head Bolt 5/16-18 X 2-1/4 COMES WITH Flat Washer 5/16	BLT516-214 c/w WSR516-SAE	8
21	76 Solo Main Rail - Left Side (not shown) 80 Solo Main Rail - Left Side (shown)	MNR19L-801-2F-P (not shown) MNR19L-841-2F-P (shown)	1
22	76 Solo Main Rail - Right Side (not shown) 80 Solo Main Rail - Right Side (shown)	MNR19R-801-2F-P (not shown) MNR19R-841-2F-P (shown)	1
23	Tek® Screw #10-3/4 Long	TEKSCR-HX#-10-34	2
24	3" Caster Assembly (See DIA 90 for Service Assembly)	WHLBRA-CKA-SS-Y1	4
25	Drive Tube	DRV TUB-ESO-LO-P	1
28	Clevis Pin 3/8 X 2-1/2 Long C/W Hitch Pin	PIN380-212 c/w PIN-13	3
29	Hex Head Bolt 5/16-18 X 1-3/4 Long C/W Hex Nut 5/16-18	BLT516-134-P c/w NUT516	2
30	Hex Head Bolt 5/16-18 X 1-3/4 Long C/W Lock Washer 5/16	BLT516-134 c/w WSR516-L	4

ASSIST RAIL ASSEMBLY



Full Assemblies:

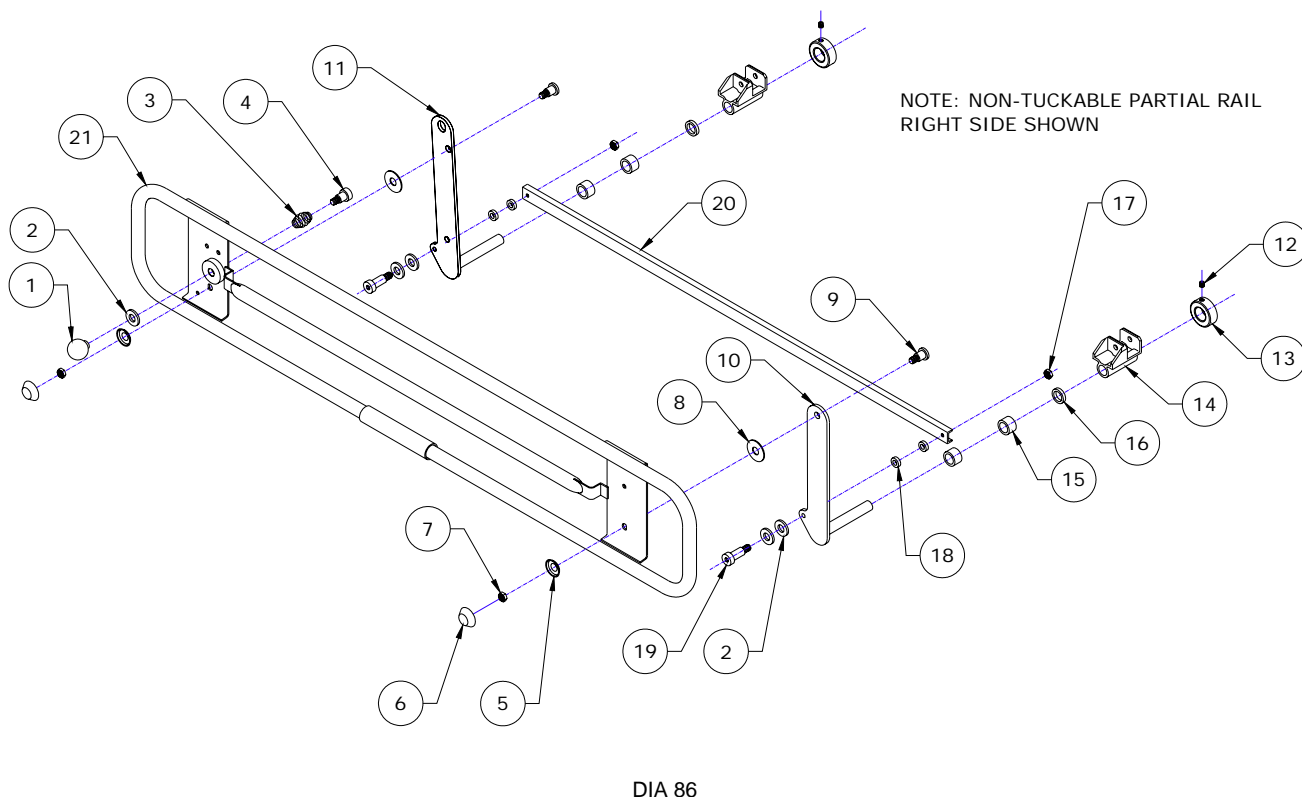
Ref	Description	Part No.	Qty
n/a	Fully Assembled Assist Rail Side Mount Pair - Left & Right Side	RAILSA-EPR	-
n/a	Fully Assembled Assist Rail Side Mount - Left Side Only	RAILSA-ELT	-
n/a	Fully Assembled Assist Rail Side Mount - Right Side Only	RAILSA-ERT	-

Components:

Ref	Description	Part No.	Qty
1	Socket Shoulder Bolt	BLT121-2SO-CK-SH	1
2	Bellville Washer	WSRBEL-VIL-1	1
3	18 Gauge Plug	PLG1RD-18	2
4	Washer - Nylon 1/2 ID, 2 1/2 OD	WSR122-123-64-N	1
5	3/8 Nylon Lock Nut	NUT38N-L	1
6	Assist Rail Side Mount Bracket, Plated - Right Side (Shown) Assist Rail Side Mount Bracket, Plated - Left Side (Not Shown)	RRBRAC-KAE-P (Shown) or RLBRAC-KAE-P (Not Shown)	1
7	Slotted Shoulder Bolt 1/2 X 1/2 long	BLT121-2SL-OT-SH	1
8	Compression Spring	SPRASS-IST	1
9	Washer 3/8 ID 3/4 OD 1/16 Thick Nylon	WSR383-411-6N	1
10	Black Ball Knob	LATCH0-002	1
11	Side Mount Assist Rail Member - Right Side(Shown) Left Side Assist Rail Member (Not Shown)	RR1010-26-1 (Shown) RL1010-26-1 (Not Shown)	1
12	Pendant Holster	PNDNTH-OLS-TE-RS	1

NON-TUCKABLE PARTIAL RAIL ASSEMBLY

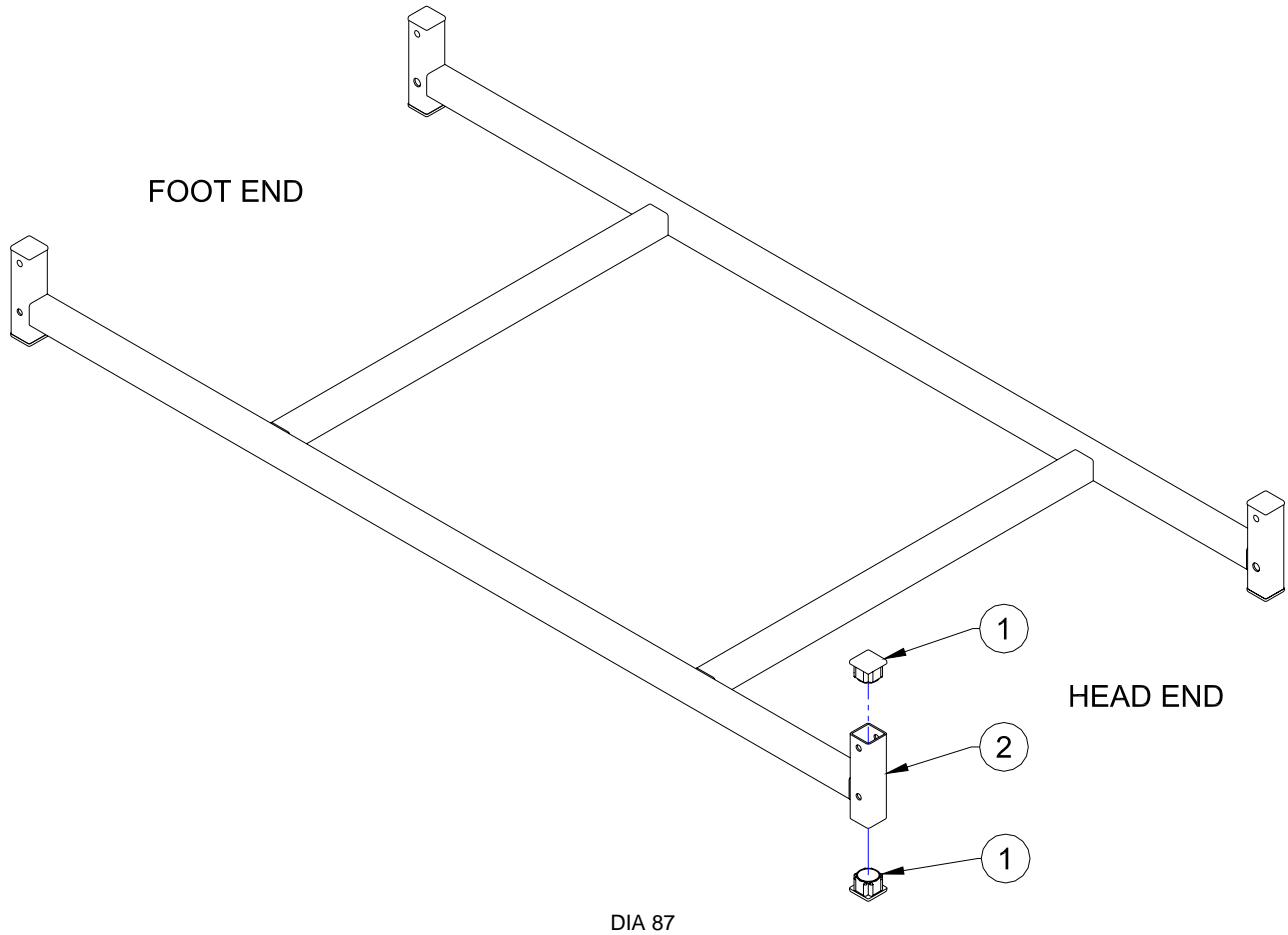
Note Left and right side rails are not interchangeable. Specify left or right side when ordering. Left / right determination is made standing at the foot of the bed, facing the resident.



Ref	Description	Part No.	Qty
1	Black Ball Pull Knob	LATCH0-002	1
2	Nylon Spacer 3/8 X 3/4 X 1/16 Thick	WSR383-411-6N	5
3	Compression Spring	SPRASS-IST	1
4	Slotted Shoulder Bolt	BLT121-2SL-OT-SH	1
5	Steel Washer 3/8" ID	WSRRHW-204	2
6	Plastic Cap RH-20	CAP14R-H20	2
7	5/16 Locking Flange Nut	NUT516-FLL	2
8	Washer Nylon 1.46 OD, 0.515 ID, 0.050 Thick	WSRNYL-ONF-LA-T	2
9	Rail Pin 1/2" X 7/8" Plated	RPIN12-78P	2
10	Non-Tuckable Side Rail Short Rail Arm Welded - Right Side (<i>shown</i>) or Non-Tuckable Side Rail Short Rail Arm Welded - Left Side (<i>not shown</i>)	SRA001-RA (<i>shown</i>) or SRA001-LA (<i>not shown</i>)	1
11	Non-Tuckable Side Rail Long Rail Arm Welded - Right Side (<i>shown</i>) or Non-Tuckable Side Rail Long Rail Arm Welded - Left Side (<i>not shown</i>)	LRA001-RA (<i>shown</i>) or LRA001-LA (<i>not shown</i>)	1
12	Set Screw 516-NC	SETSCR-516-51-6C	2
13	Locking Set Collar 3/4 ID with 1/4-NC Set Screw	COL34R	2
14	Non-Tuckable Side Rail - Rail Bracket (<i>Colour Beige</i>)	RAILBR-ACK-NT	2
15	Nylon Bushing - 3/4 X 1-1/2 Long	WSR341-141-2N	4
16	Nylon Spacer - 3/4 X 1-11/16 Thick	WSR341-116-4N	2
17	5/16 Centre Lock Nut	NUT516-L	2
18	Nylon Bushing - 3/8 X 3/4 X 5/16 Long	WSR383-451-6N	4
19	Socket Head Shoulder Bolt - 3/8 X 1	BLT381-HSS-B	2
20	Non-Tuckable Rail - Partial Rail Link Bar	RLNK00-01P-AP-NT	1
21	Partial Rail Welded and Epoxy Painted - Right Side (<i>shown</i>) Partial Rail Welded and Epoxy Painted - Left Side (<i>not shown</i>)	RR1010-52 (<i>shown</i>); or RL1010-52 (<i>not shown</i>)	1

SERVICE PART SUB-ASSEMBLIES

Solo Lower Frame Assembly



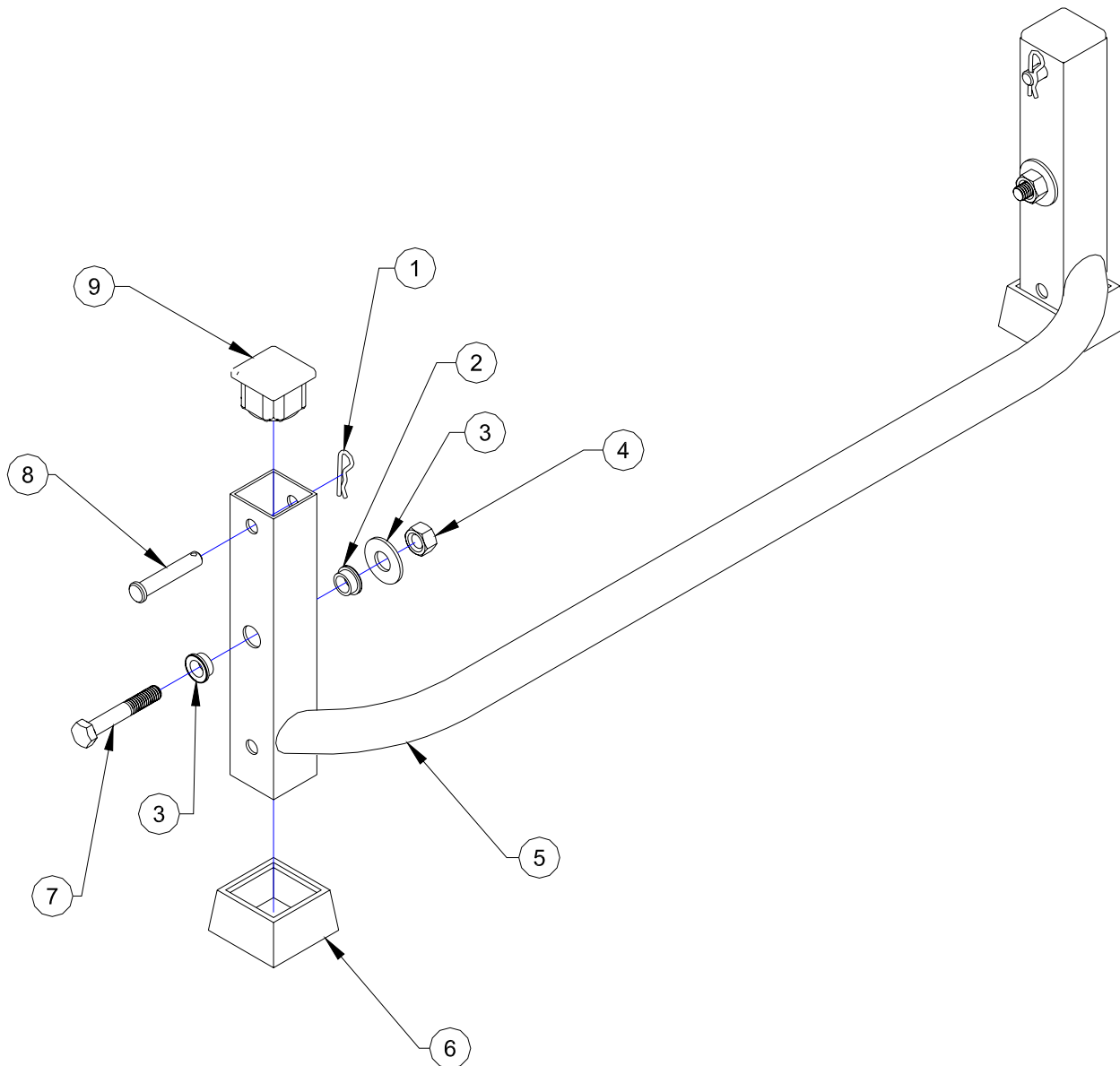
Full Assembly:

Ref	Description	Part No.	Qty
n/a	Solo Lower Frame Assembly with insert Plugs	LWRFRA-SS-Y	-

Components:

Ref	Description	Part No.	Qty
1	Tube Insert Plug	PLG240	8
2	Solo Lower Frame - Painted	LWRFRP-NT1	1

Solo Head End Assembly



DIA 88

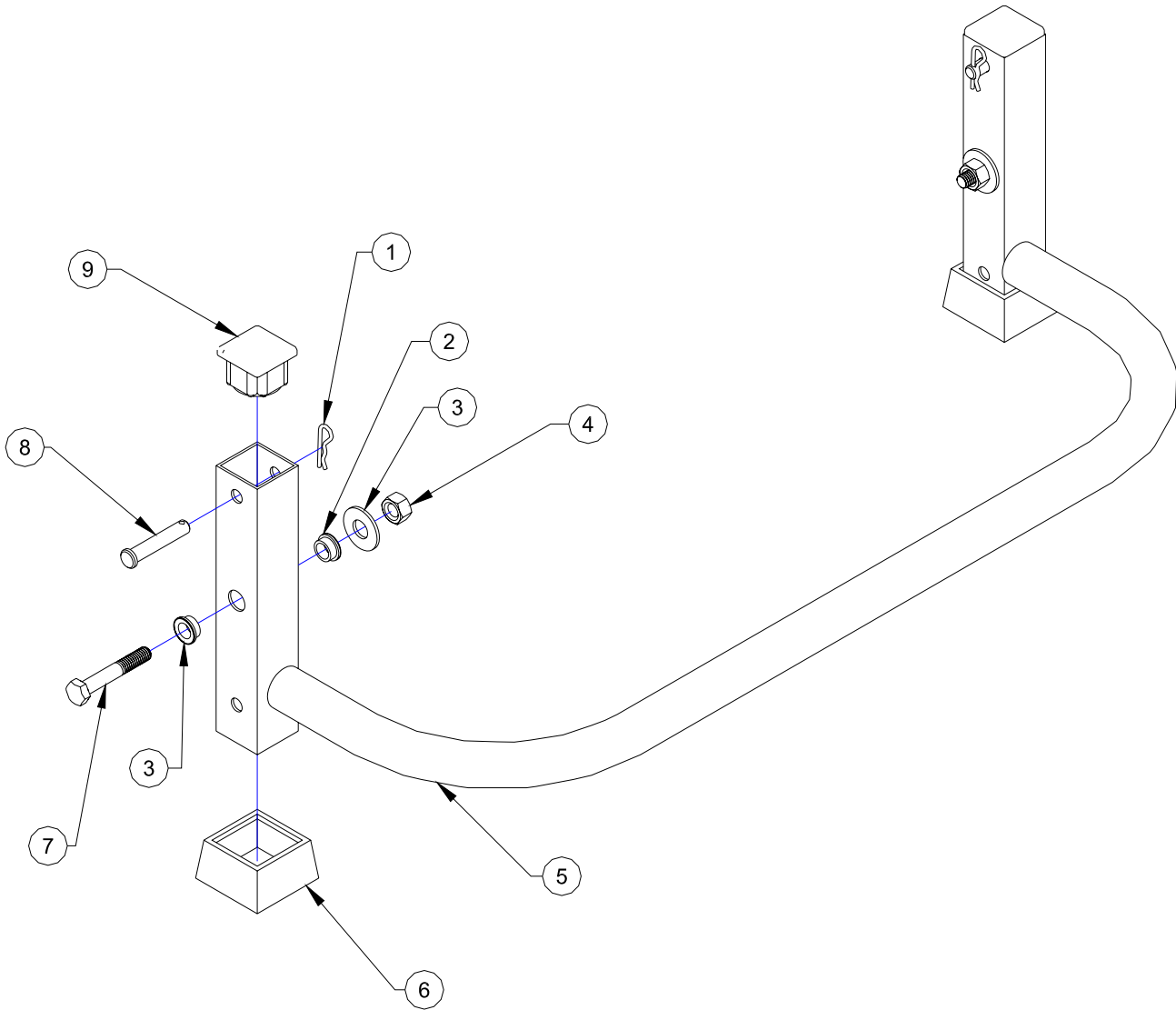
Full Assembly:

Ref	Description	Part No.	Qty
n/a	Solo Head End Assembly with all Fasteners and Plugs	LEG000-4BA-SS-Y	-

Components:

Ref	Description	Part No.	Qty
1	Hitch Pin	PIN-13	2
2	Oil-Light Bushing 3/8 ID X 1/2 Long	BSH38	4
3	Plated Washer 7/16 ID X 1 OD X .075	WSR38U-SS	2
4	Locking Hex Nut 3/8-16	NUT38L	2
5	Solo Head End Leg - Painted	LEG000-4BP-NT	1
6	Bed Gripper Foot	GLDBED-FOO-T	2
7	Long Hex Bolt 3/8-16 X 2	BLT382	2
8	Clevis Pin 5/16 X 1-11/16 Long	PIN516-111-16	2
9	Tube Insert Plug	PLG240	2

Solo Foot End Assembly



DIA 89

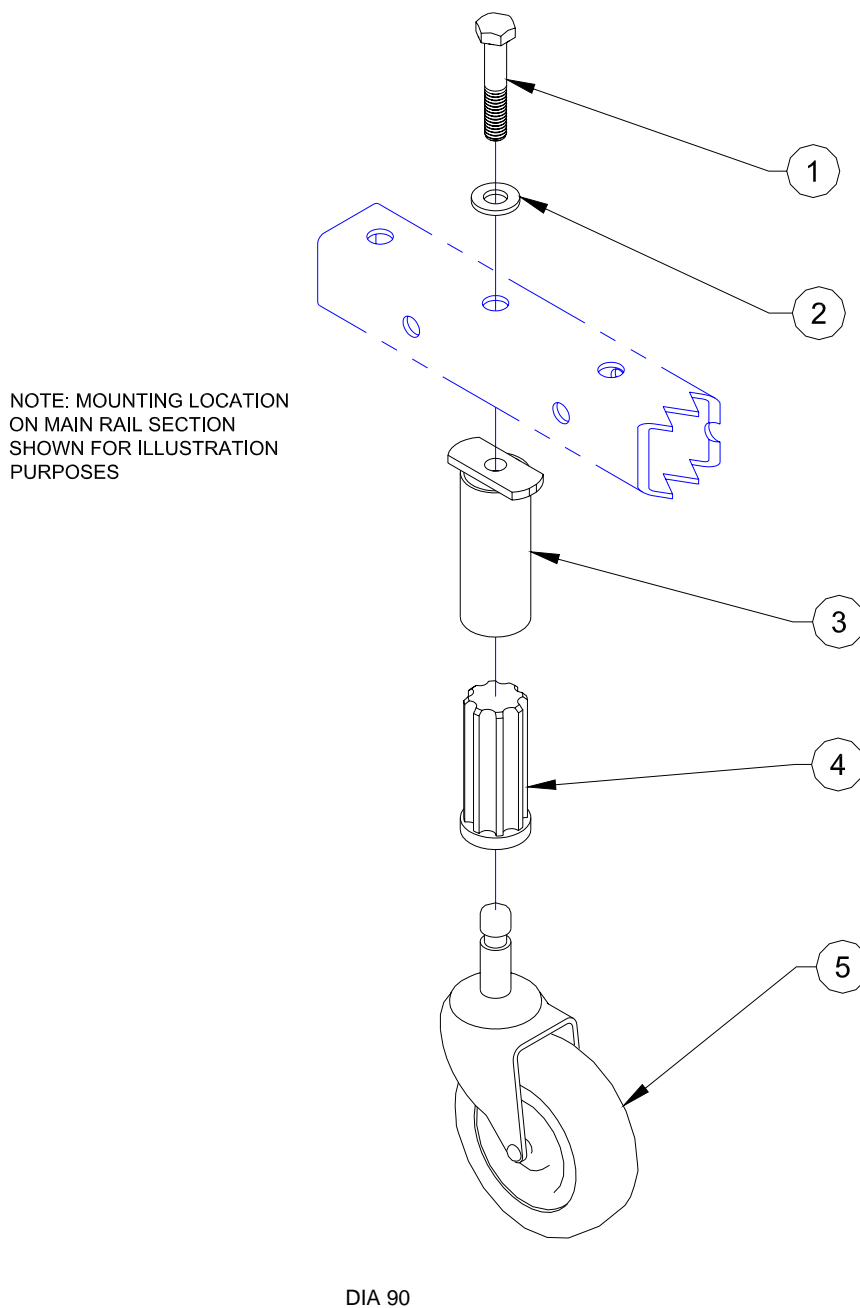
Full Assembly:

Ref	Description	Part No.	Qty
n/a	Solo Foot End Assembly with all Fasteners and Plugs	LEG000-3CA-SS-Y	-

Components:

Ref	Description	Part No.	Qty
1	Hitch Pin	PIN-13	2
2	Oil-Light Bushing 3/8 ID X 1/2 Long	BSH38	4
3	Plated Washer 7/16 ID X 1 OD X .075	WSR38U-SS	2
4	Locking Hex Nut 3/8-16	NUT38L	2
5	Solo Foot End Leg - Painted	LEG000-3BP-NT	1
6	Bed Gripper Foot	GLDBED-FOO-T	2
7	Long Hex Bolt 3/8-16 X 2	BLT382	2
8	Clevis Pin 5/16 X 1-11/16 Long	PIN516-111-16	2
9	Tube Insert Plug	PLG240	2

Solo Caster Bracket Assembly



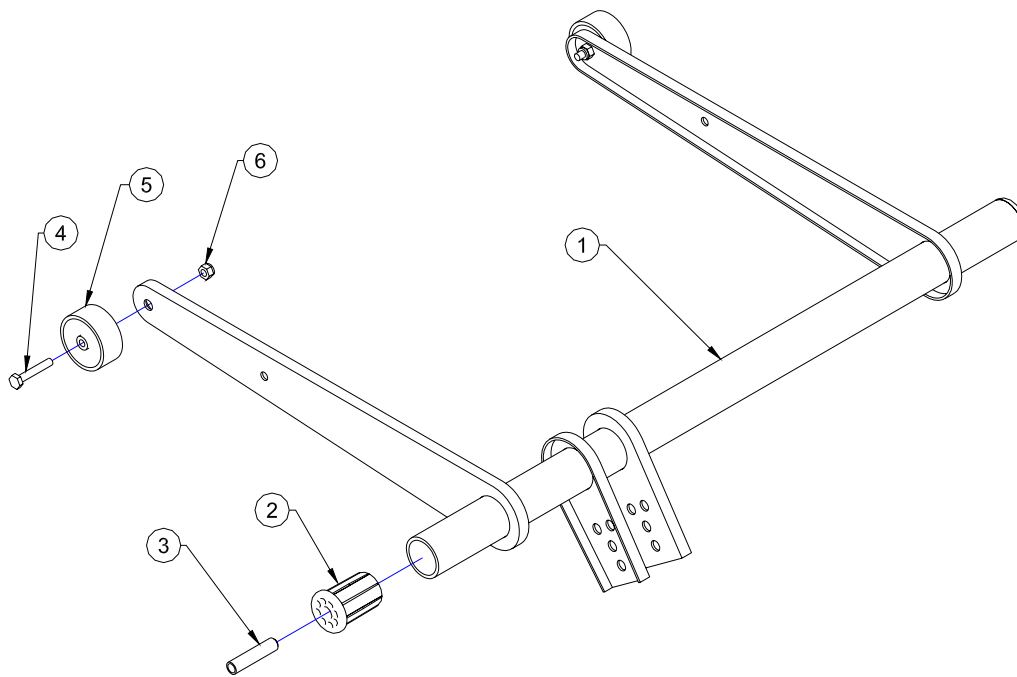
Full Assembly:

Ref	Description	Part No.	Qty
n/a	Solo Caster Bracket Assembly With Caster, Insert and Fasteners	WHLBRA-CKA-SS-Y1	-
n/a	Solo Caster Bracket Assembly With Locking Caster, Insert and Fasteners	WHLBRA-CKA-SS-Y2	-

Components:

Ref	Description	Part No.	Qty
1	5/16-18 X 1-3/4 Long Cap Screw	BLT516-134	1
2	5/16 Lock Washer	WSR516-L	1
3	Solo Caster Housing	WHLBRA-CK1-PN-T	1
4	Caster plug	1RT125-RD	1
5	3" Caster	2WHLEW-152-0R	1

Head Gatch Socket Style Assembly



DIA 91

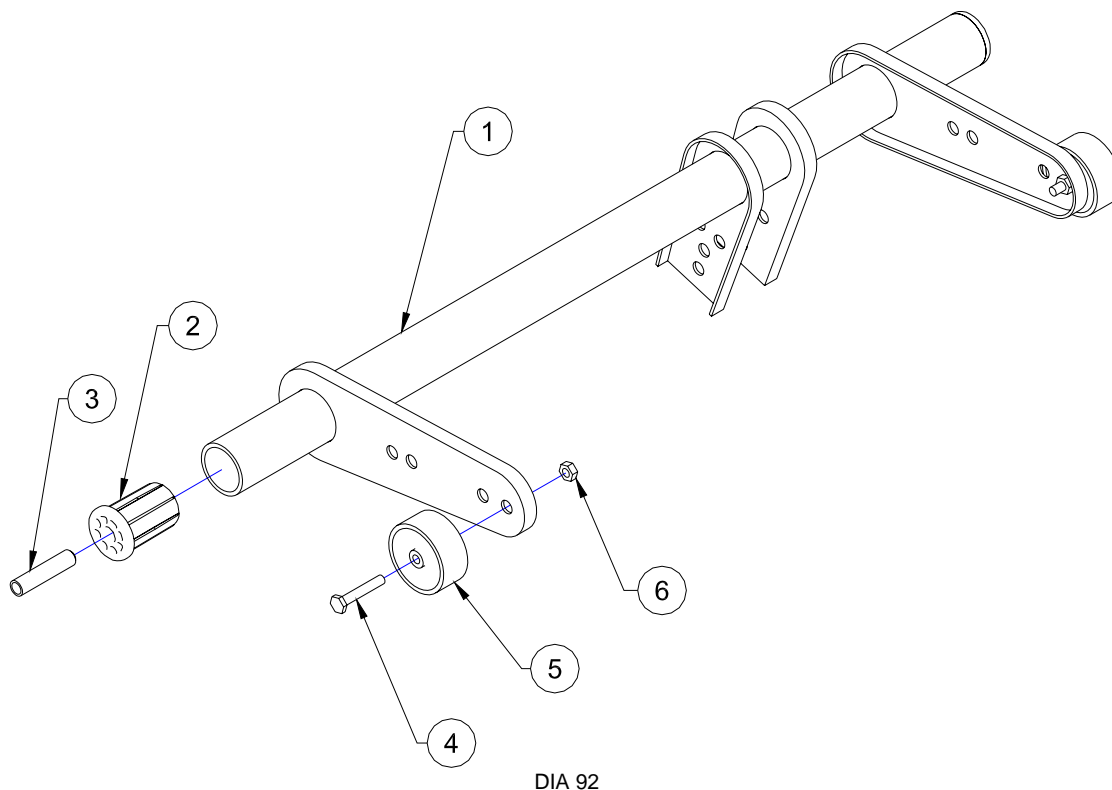
Full Assembly:

Ref	Description	Part No.	Qty
n/a	Head Gatch Socket Style Assembly with Wheel and Inserts	GATHEA-DAA-SS-Y	-

Components:

Ref	Description	Part No.	Qty
1	Head Gatch Socket Style Painted (11 GA)	GATHEA-DAP	1
2	Nylon Caster Insert Plug - 11 GA	PLG112-11R-D	2
3	Gatch Pivot Pin	PIN122-516-NC	2
4	Hex Head Bolt 1/4-20 X 1-1/2	BLT141-12	2
5	2" Plastic Wheel	WHL623-4	2
6	1/4-20 Nylon Lock Nut	NUT14L	2

Foot Gatch Socket Style Assembly



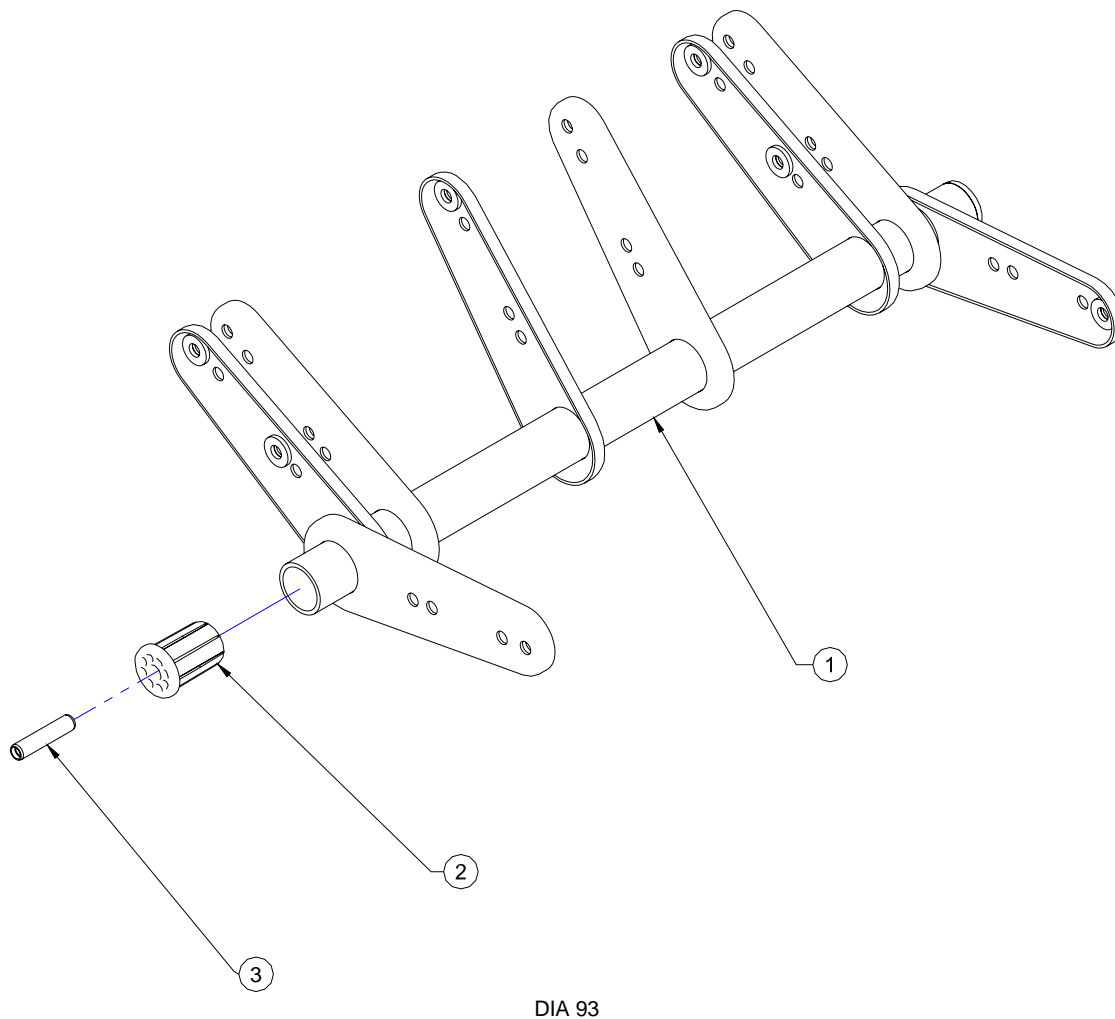
Full Assembly:

Ref	Description	Part No.	Qty
n/a	Foot Gatch Socket Style Assembly With Inserts and Fasteners	GATFOO-TAS-SY	-

Components:

Ref	Description	Part No.	Qty
1	Foot Gatch Socket Style Painted (11 GA)	GATFOO-TP	1
2	Nylon Caster Insert Plug - 11 GA	PLG112-11R-D	2
3	Gatch Pivot Pin	PIN122-516-NC	2
4	Hex Head Bolt 1/4-20 X 1-1/2	BLT141-12	2
5	2" Plastic Wheel	WHL623-4	2
6	1/4-20 Nylon Lock Nut	NUT14L	2

Solo II Lower HILO 8 Arm Gatch Assembly



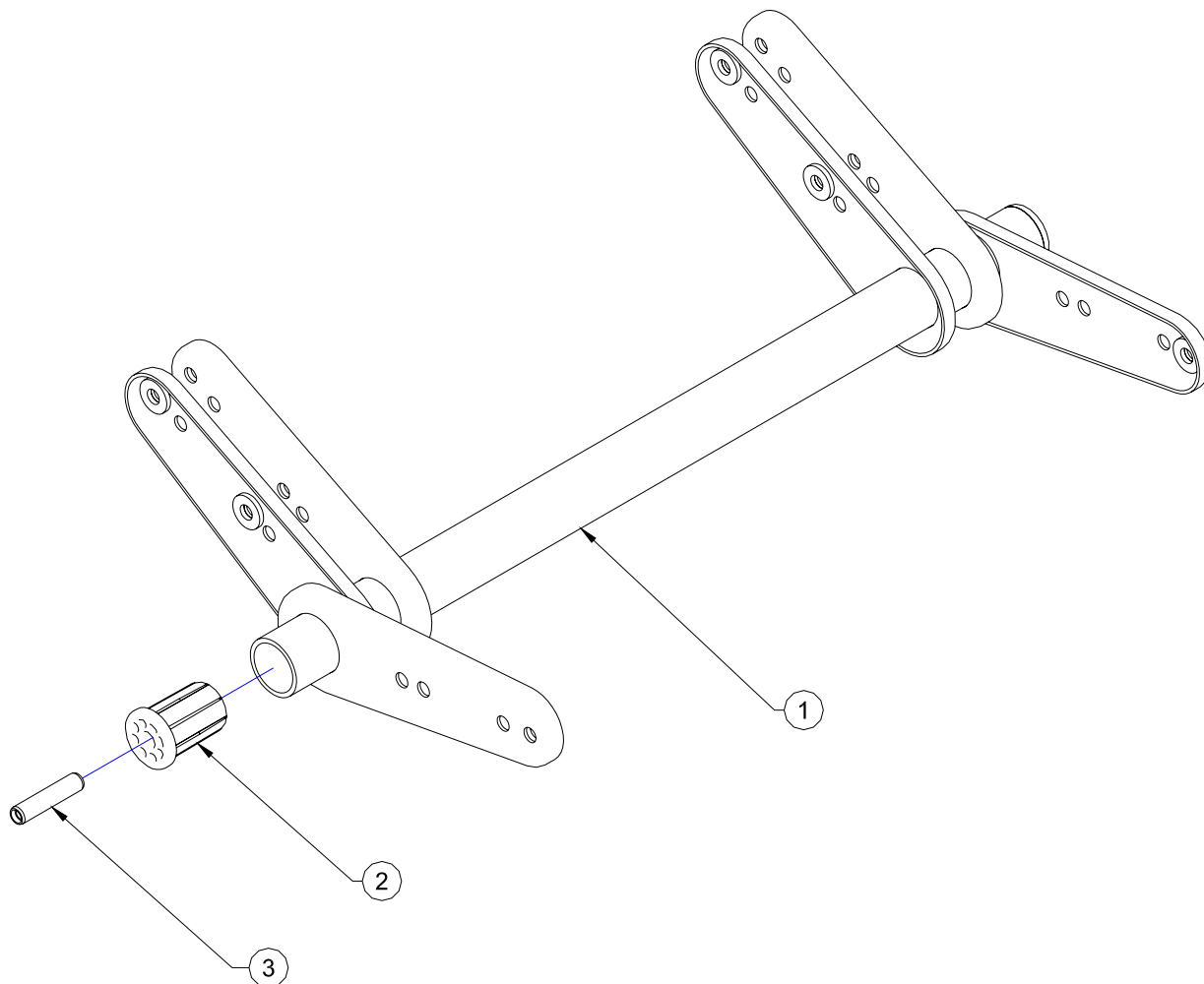
Full Assembly:

Ref	Description	Part No.	Qty
n/a	Solo II Lower HILO 8 Arm Gatch Assembly With Inserts and Fasteners	HILOLO-WER-AS-Y1	-

Components:

Ref	Description	Part No.	Qty
1	Solo II Lower HILO 8 Arm Gatch Painted	HILOLO-WER-PN-T1	1
2	Nylon Caster Insert Plug - 11 GA	PLG112-11R-DA	2
3	Stabilizer Pivot Pin	PIN122-516-NC	2

Solo II Lower HILO 6 Arm Gatch Assembly



DIA 94

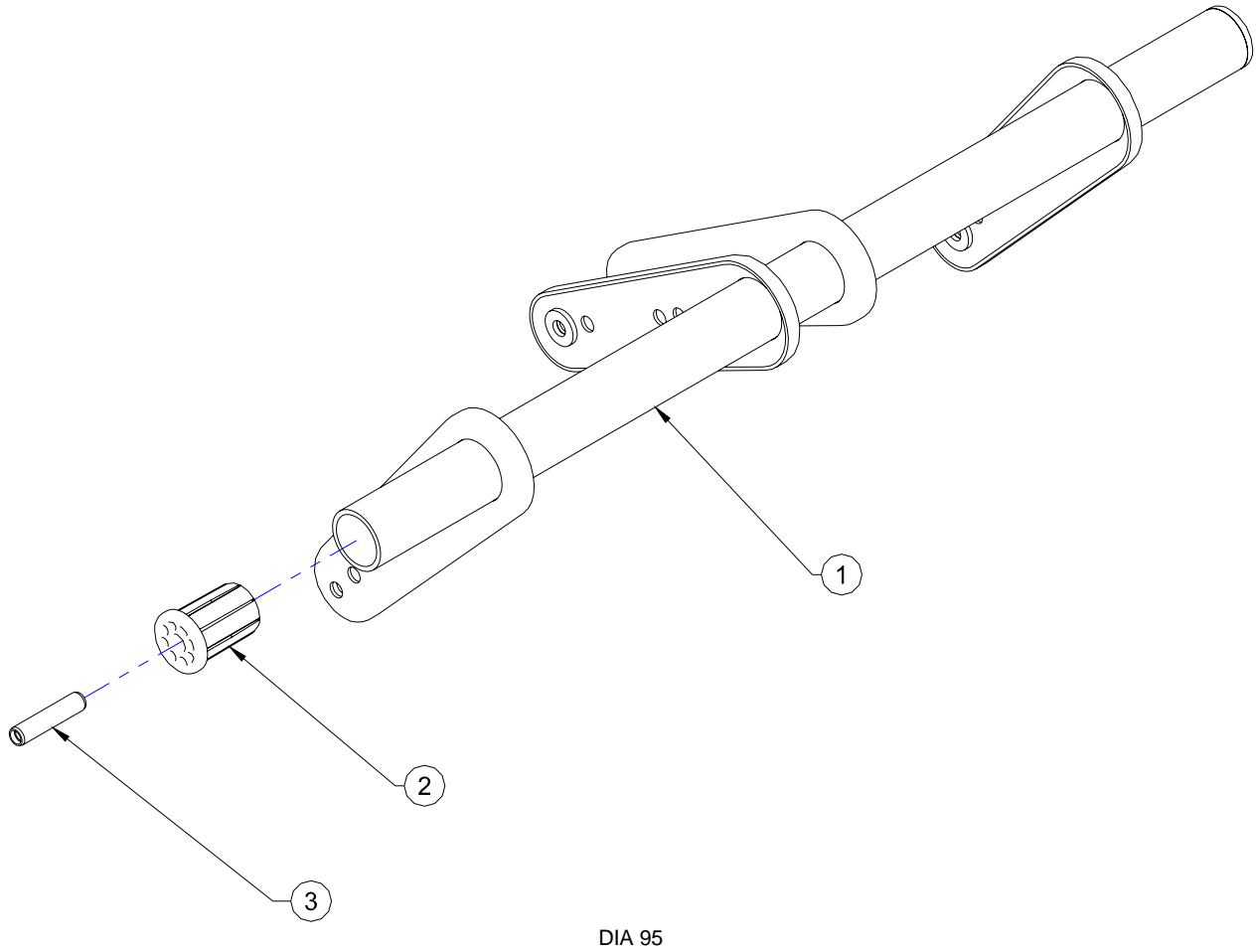
Full Assembly:

Ref	Description	Part No.	Qty
n/a	Solo II Lower HILO 6 Arm Gatch Assembly With Inserts and Fasteners	HILOLO-WER-AS-Y2	-

Components:

Ref	Description	Part No.	Qty
1	Solo II Lower HILO 6 Arm Gatch Painted	HILOLO-WER-PN-T2	1
2	Nylon Caster Insert Plug - 11 GA	PLG112-11R-DA	2
3	Stabilizer Pivot Pin	PIN122-516-NC	2

Solo II Upper HILO Gatch Assembly



Full Assembly:

Ref	Description	Part No.	Qty
n/a	Solo II Upper HILO Gatch Assembly With Inserts and Fasteners	HILOUP-PER-AS-SY	-

Components:

Ref	Description	Part No.	Qty
1	Solo II Upper HILO Gatch Painted	HILOUP-PER-PN-T1	1
2	Nylon Caster Insert Plug - 11 GA	PLG112-11R-DA	2
3	Stabilizer Pivot Pin	PIN122-516-NC	2